

# Chapter 1

## Introduction

This chapter introduces the Toshiba Desk Station V. The Toshiba Desk Station V expands the capabilities of your Toshiba Tecra 700 Series notebook computer.

### How to Use This Manual

#### Conventions

This manual uses the following conventions:

- ❖ *Italics* identify variables for which you substitute values.  
For example, when this manual discusses entering the time and date, it refers to the hours and minutes as *hh:mm*. Replace *hh* with the current hour and *mm* with the current minutes.
- ❖ A distinctive typeface distinguishes keytops and embossed legends and icons identifying ports on the Desk Station V and the computer from surrounding text.  
For example, we refer to the printer port as the **Printer port**.
- ❖ Each key is spelled exactly as you see it on the keyboard. A plus (+) sign indicates combinations of keys.  
For example, **Ctrl + Break** means you must hold down Ctrl and at the same time press **Break**.
- ❖ References to parts of the computer are in **boldface** type the first time they are referred to in the text.
- ❖ A distinctive typeface is used to indicate text from the computer monitor, such as, "TOSHIBA Desk Station ATTACHED."

## **Check Your Equipment**

Your Desk Station V comes with everything you need to get up and running quickly. However, it's a good idea to make sure you received everything you were supposed to. The following items are provided with your Desk Station V. Additional items may be included, depending on the country in which you purchased your Desk Station V:

- ❖ Desk Station V unit
- ❖ AC power cord
- ❖ keys (2)
- ❖ CRT stand
- ❖ *CorelSCSI® User Manual* and diskettes
- ❖ *Desk Station V User's Manual* (this manual)
- ❖ *AMD PCscsi Software Installation Guide* and diskette
- ❖ Warranty Card

If any of the items are missing or damaged, notify your dealer immediately.

If your Desk Station V needs repair, if you want a referral to a Toshiba authorized service center, or if you want answers to questions regarding technical support, call Toshiba Product Support at (800) 999-4273.

There is a list of addresses for worldwide Toshiba support at the end of Chapter 5.

**CAUTION:** *Do not disassemble or modify any part of the Desk Station V unless you are following the procedures in this manual.*

## **Features and Benefits**

The Desk Station V incorporates the following features and benefits:

- Expansion capability    You can install two full-length expansion slots for A half-length expansion slot for a PCI expansion card.  
You can install modem cards, network interface cards and many others.
- SelectBay™    The SelectBay makes it easy to install and remove a Toshiba 3 1/2" diskette drive module or CD-ROM drive module.
- 5 1/4" expansion bay    A space is provided in the Desk Station V for any industry standard half-height 5 1/4" device (such as a hard disk, a tape drive or a CD-ROM drive).
- Type III PC Card slots    The Desk Station V includes two standard Type III PC Card slots, allowing you to connect up to two standard PCMCIA compatible PC Cards, such as modems, network cards and ATA devices.
- RGB port    You can connect an external VGA or SVGA video monitor to this port. This port replaces the computer's RGB port.
- Parallel port    The Centronics-compatible parallel interface port allows you to connect a parallel printer. If you do not use this parallel port for a printer, you can connect one of the following through the use of an Enhanced Capabilities port (ECP) function:
  - LAN adapter
  - Tape backup device
  - SCSI adapter
  - ECP printerThis port replaces the computer's parallel port.
- Serial port    A standard 9-pin, RS-232C serial port lets you connect serial devices such as a serial printer, a mouse, a bar code reader, or an Optical Character Reader (OCR) wand. This port replaces the computer's serial port.
- SCSI II port    A 50-pin, high-density shielded connector lets you connect SCSI devices internally and externally.
- Keyboard port    An external keyboard port lets you connect a PS/2 keyboard. This port replaces the computer's external keyboard port.

Mouse port	A mouse port lets you connect a PS/2 mouse. This port replaces the computer's mouse port.
MIDI/Joystick port	This port lets you connect a MIDI device or a Joystick.
Microphone jack	A microphone jack lets you connect a stereo microphone to your computer.
Headphone jack	A headphone jack lets you connect a stereo headphone to your computer. Use a headphone with an impedance of 16Ω.
Line-In jack	Use this jack to connect an audio device such as a tape deck, CD-ROM player or radio.
Line-Out jack	Use this jack to connect external speakers or a tape deck for recording.
Speakers	Two stereo speakers supply audio support with adjustable volume.
Power supply	The universal power supply automatically adjusts to a wide range of voltage inputs, which means you can connect the Desk Station V to most AC power sources around the world. This power supply simultaneously supplies AC power to the Desk Station V and DC power to the computer. It also charges the computer's battery when the computer is docked.
Power indicator	The Desk Station V's power indicator glows orange when the Desk Station V is supplied with AC power. It glows green when the Desk Station V is supplied with AC power and computer is turned on.
CRT stand	A CRT stand attaches to the top of the Desk Station V for convenient use of an external monitor.
VCR-style docking mechanism	A VCR-style docking mechanism provides you with an easy and secure way to attach and detach the computer from the Desk Station V.
Security Lock	With the addition of the Noteworthy Computer Lock, you can secure the Desk Station V to an immovable object.
Security Ring	You can use the Security Ring to attach the Desk Station V to an immovable object.

## ***Using Your Desk Station V***

### ***Select a Place To Work***

Your Desk Station V is designed to be used in a variety of circumstances and locations. However, by giving some thought to your work environment, you can protect the Desk Station and make your work hours more comfortable.

### ***Your Work Area***

Use a flat surface with enough room to operate your equipment. If you're planning to use a printer or other external device, make sure there is enough space for it as well.

To keep your Desk Station in prime operating condition, make sure your work area is free from:

- ❖ dust, moisture and direct sunlight.
- ❖ liquids and corrosive chemicals.
- ❖ objects that generate a strong electromagnetic field, such as stereo speakers or speakerphones.
- ❖ rapid changes in temperature or humidity and sources of temperature changes such as air conditioner vents or heaters.
- ❖ extreme heat, cold or humidity. Operate the Desk Station within a temperature range of 40 to 95 degrees Fahrenheit (5 to 35 degrees Celsius) and a relative humidity of 20 to 80 percent.

### ***Keep Yourself Comfortable***

Strain and stress injuries are becoming more common as people spend more time using their computers. However, with a little care and proper use of the equipment, you can work comfortable throughout the day.

In addition to the hints provided in the following sections, there are a number of books available on ergonomics, repetitive strain injure, and repetitive stress syndrome.

### ***Placement of the Computer***

Proper placement of the computer, the Desk Station V and external devices is important to avoid stress-related injuries:

- ❖ Place the Desk Station V on a flat, level surface at a comfortable height and distance. Your arms and hands should be in a relaxed position with your forearms parallel to the floor. The display should be no higher than eye level.
- ❖ Leave enough room for any external devices you will use, such as an external monitor, keyboard or mouse.
- ❖ Maintain good posture with your body relaxed and your weight distributed evenly. You should be able to type without twisting your torso or neck, and you should be able to see the display panel without slouching.
- ❖ Adjust the display panel to avoid glare.
- ❖ If you use a paper holder, set it about the same height and distance as the monitor.

### ***Seating and Posture***

Proper seating is one of the primary factors in reducing work strain. Some people find a backless chair more comfortable than a conventional chair. Whichever type you choose, refer to the following guidelines to adjust your chair for maximum computing comfort.

- ❖ Position your chair so the keyboard is at or slightly below the level of your elbow. You should be able to type comfortably with your shoulders relaxed.
- ❖ Allow for the increased height of the keyboard from the table surface if you are typing on the computer's keyboard when it is docked in the Desk Station V.

If you are using a conventional chair:

- ❖ Your knees should be slightly higher than your hips. If necessary, use a foot rest to raise the level of your knees and ease the pressure on the back of your thighs.
- ❖ Adjust the back of your chair so it supports the lower curve of your spine. If necessary, use a cushion to provide extra back support. Lower back support cushions are available at many office supply stores.
- ❖ Sit with your back straight so that your knees, hips and elbows are at approximately 90 degree angles when you work. Do not slump forward or lean back too far.

### ***Lighting***

Proper lighting can improve the legibility of the display and reduce eye strain.

- ❖ Position the display panel so that sunlight or bright indoor lighting does not reflect off the screen. Use tinted windows or shades to reduce glare.
- ❖ Avoid placing your Desk Station V in front of a bright light that could shine directly in your eyes.
- ❖ If possible, use soft, indirect lighting in your computer work area.

### ***Arms and Wrists***

- ❖ Avoid bending, arching or angling your wrists. Keep them in a relaxed, neutral position while typing.
- ❖ Exercise your hands, wrists and arms to improve circulation.

### ***Work Habits***

The key to avoiding discomfort or injury from repetitive strain is to vary your activities. If possible, schedule a variety of tasks into your work day. Finding ways to break up the routine can reduce stress and improve your efficiency.

- ❖ Take frequent breaks to change position, stretch your muscles and relieve your eyes.
- ❖ Avoid performing repetitive activities for prolonged periods of time. Vary activities from one task to another.
- ❖ Focusing your eyes on your computer screen for long periods of time can cause eye strain. Look away from the computer frequently and focus your eyes on a distant object.





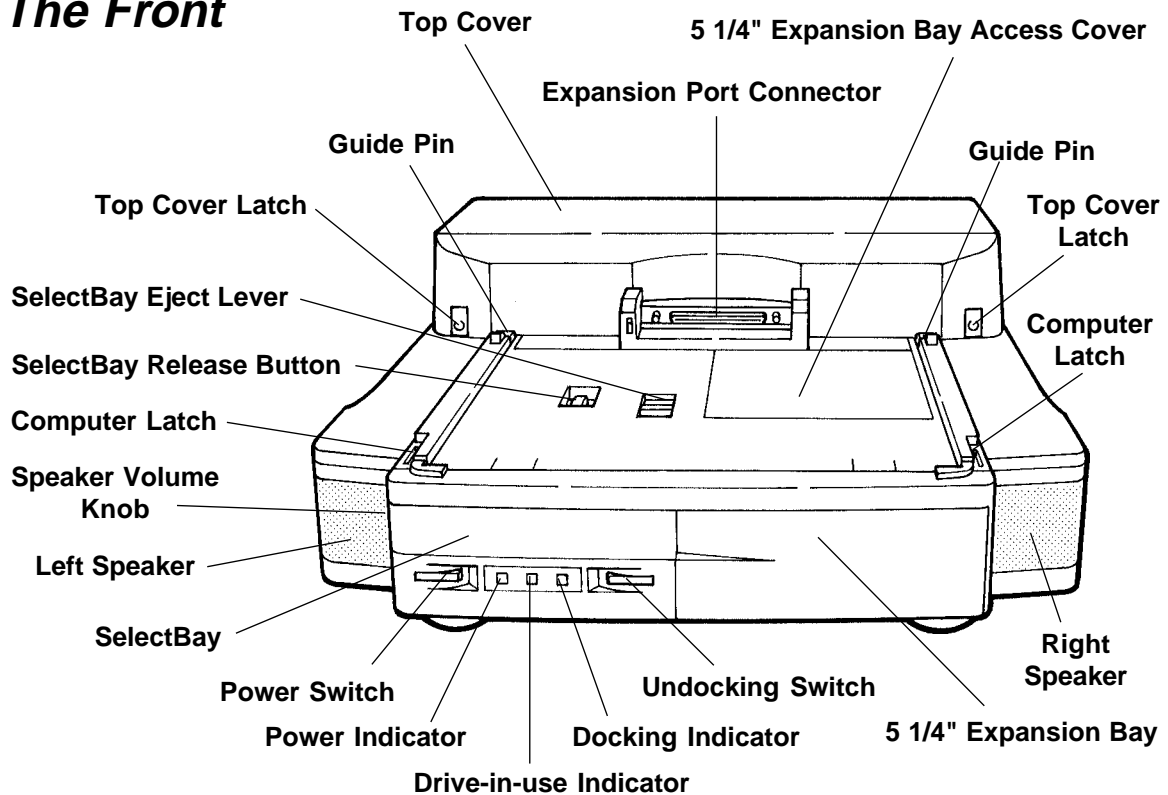
# Chapter 2

## The Grand Tour

This chapter introduces the various parts of your Toshiba Desk Station V. Please become familiar with each component before using the Desk Station V.

THE GRAND TOUR

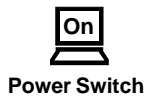
### The Front



The **top cover latches** located on both sides of the top cover are used to open the top cover when installing expansion cards in the expansion card slots.

Data shared by the computer and the Desk Station V passes through the **expansion port connector**. This connector attaches to the expansion port on the back of the computer.

The **guide pins** insert into the holes on the bottom of the rear corners of the computer and guide the computer to a proper connection with the Desk Station V.



The **computer latches** engage slots on the bottom of the computer to secure it to the Desk Station V.

The built-in stereo **speakers** are located on the front left and right sides of the desk station. These speakers are used for audio applications including multimedia programs.

Notice the **SelectBay** next to the left speaker. You can install the optional CD-ROM or floppy drive modules in this slot. To remove the installed SelectBay module use the **SelectBay release button** and the **SelectBay eject lever** on the top of the Desk Station V.

When the Desk Station V power cord is plugged into the wall socket, the Desk Station V is always in the low power standby state. It is normal for the internal fan to run whenever the Desk Station is plugged in. The switch on the left below the SelectBay is the **power switch**. This switch turns the power to the computer on and off when the computer is attached to the Desk Station V. To turn the computer on, push this switch and hold it until the **power indicator** turns green. To turn the computer off, push the power switch and hold it until the **power indicator** turns orange.

The **power indicator** glows green when the Desk Station V is supplied with AC power and the computer is powered on. It glows orange when the Desk Station V is supplied with AC power and the computer is not connected or the connected computer is powered off. It is off when the Desk Station V is not supplied with AC power.

The **drive-in-use indicator** glows green when the drive installed in the SelectBay is in use.

The **docking indicator** glows green when the computer is docked on the Desk Station V. It blinks green while docking and undocking procedures are in process. It blinks orange when a docking error occurs.

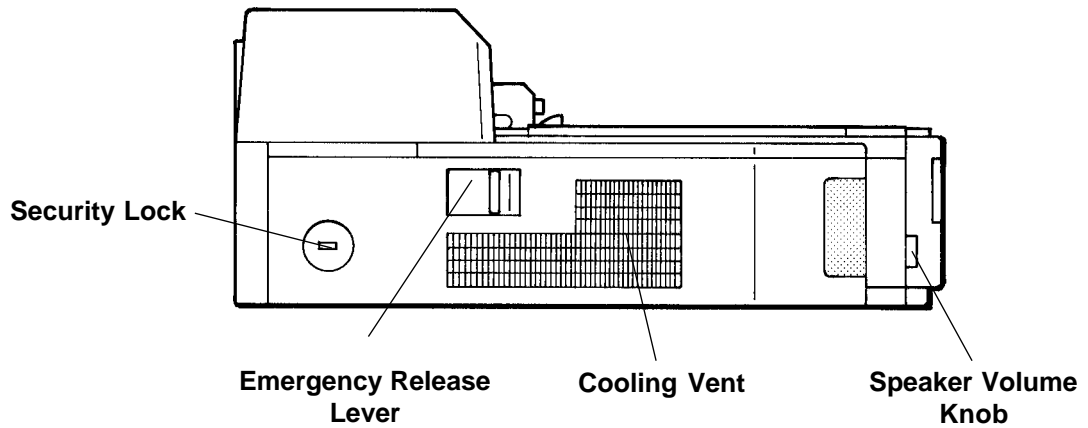
Pressing the **undocking switch** ejects the computer from the Desk Station V so you can easily remove it.

**CAUTION:** Never remove a disk, turn the computer off or undock the computer when the drive-in-use indicator glows green.

Always save your files before undocking or going into the Resume Mode.

The **5 1/4" expansion bay** on the right of the SelectBay is protected by the **Expansion bay access cover**. You can install any industry standard half-height 5 1/4" SCSI device in this bay.

## The Left Side



Speaker Volume Knob

Rotate the **speaker volume knob** to adjust the volume of the audio speakers.



Emergency Release Lever

The **cooling vent** helps keep the Desk Station V at a safe temperature. Do not block this vent.

The **emergency release lever** is used to manually disconnect the computer from the Desk Station V in case of emergency. You can disconnect the computer by sliding this lever to the left after setting the lock switch on the right side of the Desk Station V to the Emergency position.

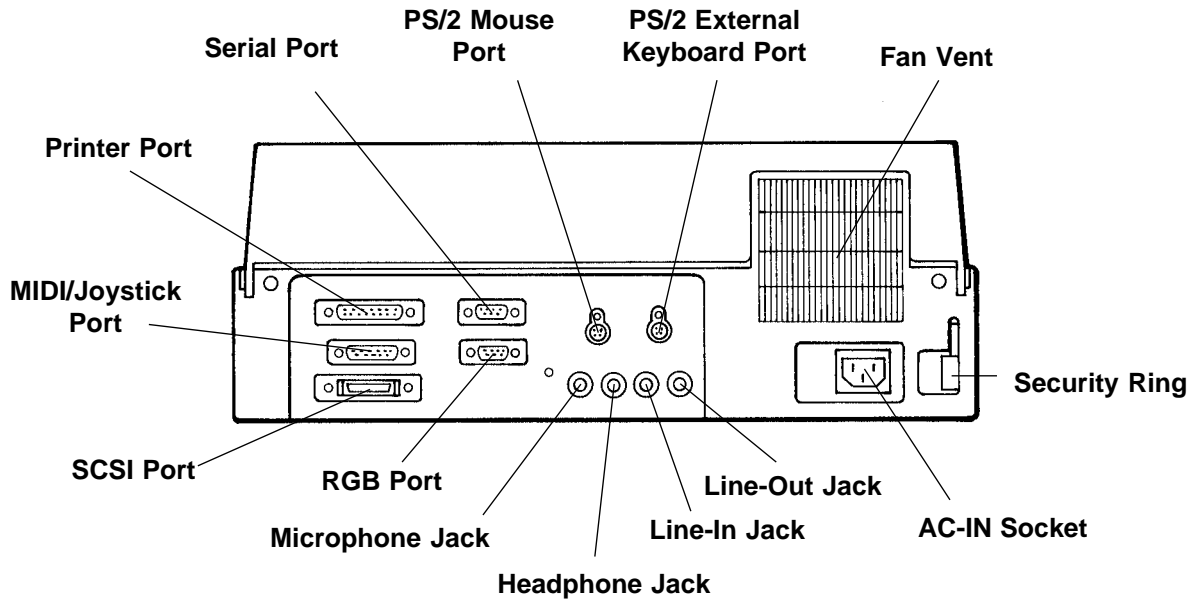


Security Lock

The **security lock** slot lets you anchor your Desk Station V to a secure object using the Noteworthy™ Computer Lock cable.

## The Back

THE GRAND TOUR



Printer Port

You can connect a Centronics compatible parallel device such as a printer to the DB-25 **printer** port. This port also supports an Enhanced Capabilities port (ECP) function. This port replaces the computer's printer port.



Serial Port

You can use this RS-232C **serial** port to connect a serial device, such as an external modem, mouse, or serial printer to the Desk Station V. This port replaces the computer's serial port.



Mouse Port

You can connect a PS/2 type mouse to the Desk Station V via the **mouse** port. This port replaces the computer's mouse port.



Ext. Keyboard Port

You can connect a PS/2 type keyboard to the Desk Station V via the **external keyboard** port. This port replaces the computer's keyboard port.



MIDI/Joystick Port

At the far left and below the printer port is the **MIDI/Joystick** port.



RGB Port

The **RGB** port is a 15-pin connector. You can connect a VGA-compatible analog RGB or monochrome monitor with this port. This port replaces the computer's RGB port.



SCSI Port

The **SCSI II** port is a 50-pin, high density shielded connector. This port lets you connect SCSI devices to the Desk Station V.



Microphone Jack

The **microphone** jack is a standard 3.5mm diameter miniature stereo jack through which you can connect a microphone to your Desk Station V.



Headphone Jack

The **headphone** jack is a standard 3.5mm diameter miniature stereo jack through which you can connect headphones to your Desk Station V.



Line-In Jack

You can use the **line-in** jack to input audio signals from an external sound source to the computer via the standard 3.5mm diameter miniature stereo jack.



Line-Out Jack

You can use the **line-out** jack to output audio signals from the computer via the standard 3.5mm diameter miniature stereo jack.



AC-IN

A fan behind the **fan vent** maintains the Desk Station V at optimum temperature. Do not block the vent when using the Desk Station V. The fan is always on when the Desk Station V is connected to a wall socket.

The rectangular end of the AC power cord fits into the **AC-IN** socket. The auto-sensing, universal power supply, located inside the Desk Station V, converts the AC power to DC and reduces the voltage for use by the Desk Station V and the computer. The power supply automatically senses whether you plug the Desk Station V into a 100-115 or 220-240 volt power source, and configures itself appropriately.

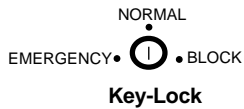
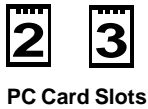
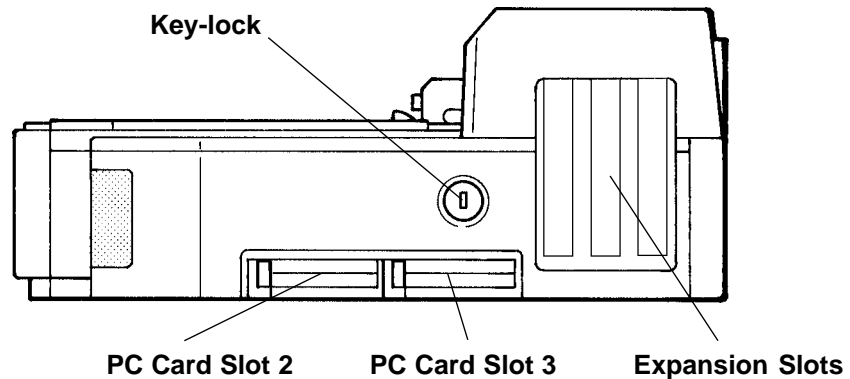


Security Ring

Use the **security ring** to deter theft by anchoring your Desk Station V to a desk or other secure object.

## The Right Side

THE GRAND TOUR



The **PC Card slots** are on the lower left of the Desk Station V. You can install up to two Type III PCMCIA-compatible PC Cards, such as a modem or an ATA device, to these slots. Each slot has a card ejector to the left of the slot allowing you to eject an installed card. Slot 0 and slot 1 are located on the computer, enabling you to install up to four PC Cards.

The **key-lock** secures the computer to the Desk Station V, preventing unintentional separation of the two units.

The **expansion slots** let you install a combination of up to two full-length ISA or PCI expansion cards and one half-length PCI expansion card. To install a card, open the top cover, remove the metal exterior panel that protects the slot and insert the card.

# Chapter 3

## Preparing the Desk Station V

This chapter explains how to install expansion cards and connect your computer to the Desk Station V.

Before installing an expansion card, confirm that the Desk Station V can support it. Set up the card following the instructions in the card's documentation. If you are using Windows 3.1 or Windows for Workgroups, or installing an ISA card in a Windows 95 system, consider how the new card will affect other cards, your computer, and the Desk Station V. For example:

- ❖ What are the power requirements for your expansion card?
- ❖ What Interrupt ReQuest line settings (IRQ) will you assign your card?
- ❖ What Direct Memory Access (DMA) ReQuest line settings (DRQ) will you assign your card?
- ❖ What Input/Output address settings will you assign your card?

**NOTE:** *The Desk Station V does not support expansion cards requiring a 4.77MHz clock rate for proper operation. Before buying a card, check to see that it does not require operation at 4.77MHz.*

PREPARING THE  
DESK STATION V

### The Desk Station V and Expansion Cards

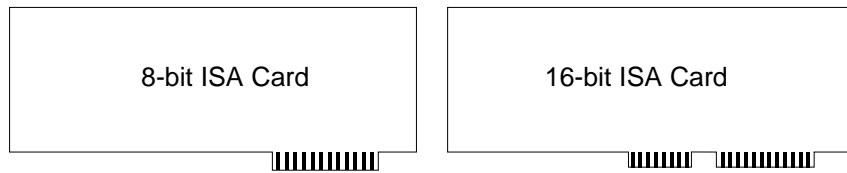
The Desk Station V has two full-length expansion slots and one half-length expansion slot. These support most standard expansion cards. Each of the two full-length slots, slot 1 and 2, allows you to install either a full-length 8-bit or 16-bit ISA, or 32-bit PCI expansion card. The half-length slot, slot 3, allows you to install a half-length 32-bit PCI expansion card.

Among the expansions you can install are: a modem card, a video card and a network interface card.

## Supported Cards

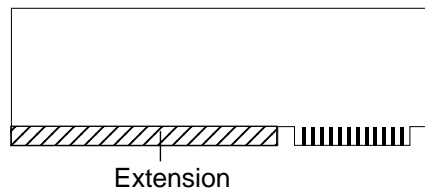
Each of the two full-length expansion slots, slot 1 and 2, incorporates a standard 124-pin PCI socket and a standard 62-pin and 36-pin ISA socket, which allows you to install a PCI or an ISA expansion card. The PCI socket provides support for standard full-length 32-bit PCI cards. Together, the two ISA sockets provide support for standard 8-bit and 16-bit ISA expansion cards. The maximum size for these slots are 0.8 x 13.3 x 4.8 inches (20.3 x 339 x 122 mm).

The following illustration shows the outline of a supported full-length, 8-bit ISA card and a supported full-length, 16-bit ISA card:



Notice that an 8-bit ISA card has one connector and a 16-bit ISA card has two connectors.

Some 8-bit ISA cards do not conform to this shape. This illustration shows the outline of an unsupported 8-bit card:



The card above has an extension below the bottom of the card. Before you purchase an 8-bit ISA expansion card to use in the Desk Station V, make sure it does not have this extension.

The half-length expansion slot, slot 3, incorporates a standard 124-pin PCI socket and provides support for standard half-length PCI cards.



## Power Considerations

The Desk Station V is designed specifically for the new generation of more efficient, low-power peripherals. Configure your system for optimum power use.

This section summarizes the Desk Station V's power specification and provides a power calculation example.

### Maximum Power Specification

This table summarizes the Desk Station V's power availability for the expansion slots, the PC Card slots, the SelectBay, and the 5 1/4" expansion bay:

<i>Volts DC</i>	<i>Continuous Amps</i>	<i>Peak Amps</i>
+5VDC (+5%/-5%)	5.9	8.2
-5VDC (+5%/-5%)	0.3	
+12VDC (+10%/-10%)	1.8	4.0
-12VDC (+10%/-10%)	0.3	
+3.3VDC	7.0	



The power required by each peripheral powered by the Desk Station V (expansion cards, PC Card slots, SelectBay, and the 5 1/4" expansion bay) may not exceed these specifications. The total power consumption may not exceed 80W.

**Power Calculation Example**

The appendix titled *Desk Station V Worksheets* includes a Power Consumption Worksheet. Use this to determine if your cards and devices fall within the Desk Station V's power requirements. This section shows how to fill in the worksheet when calculating power requirements. Photocopy the worksheet before you use it.

In the following power calculation example, there is an expansion card A installed in slot 1, an expansion card B in slot 2, an expansion card C in slot 3, a SCSI device D in the 5 1/4" expansion bay, and no device in PC Card slots 2 and 3 and the SelectBay.

**PREPARING THE  
DESK STATION V**

<b>Power Consumption Worksheet</b>						
Date Prepared: __/__/__						
Fill in the type of device, its power requirements and setup information. Figure the total power required for your devices to determine if you will exceed the Desk Station V's power specification.						
Desk Station V	Card/Device Manufacturer	Power Requirements				
		+5 Cont./Peak	-5	+12 Cont./Peak	-12	+3.3
Slot #1	Card A	1.0/1.0	0.0	0.0/0.0	0.0	0.0
Slot #2	Card B	1.4/1.4	0.0	0.0/0.0	0.0	0.0
Slot #3	Card C	0.8/0.8	0.0	0.0/0.0	0.0	0.0
<b>PC Card Slot 2</b>	none	- / -	-	- / -	-	-
<b>PC Card Slot 3</b>	none	- / -	-	- / -	-	-
<b>5 1/4" Expan- sion Bay</b>	Drive D	0.3/1.2	N/A	0.3/0.5	N/A	N/A
<b>SelectBay</b>	<input type="checkbox"/> FDD <input type="checkbox"/> CD-ROM	0.8/0.8	N/A	N/A	N/A	N/A
Total Power Used by Peripherals:		3.5/4.4	0.0	0.3/0.5	0.0	0.0
Maximum Power Specification:		5.9/8.2	0.3	1.8/4.0	0.3	7.0

The power used by your peripherals may not exceed the Desk Station V's specification. If your calculations fall below the numbers listed for Maximum Power Specification, you can continue with your installation.

The power required by this configuration of peripherals does not exceed the Desk Station V's power specification.

## Preparing to Install Cards and Devices

PCI Cards and Plug and Play ISA Cards are normally configured automatically and use the same interrupt (Default 11). PCI Cards do not use DMA channels.

The following applies to non-Plug and Play ISA cards.

Begin your installation by filling in a working copy of the Desk Station V Setup Worksheet. For each card and peripheral device, you need to know the following information:

- ❖ Can you change the device's Interrupt ReQuest (IRQ) line and base address (usually by a switch or a jumper), or is it fixed?
- ❖ Does the device use Direct Memory Access (DMA)? If so, can you change the card's DRQ line (by a switch or a jumper), or is it fixed?

The Setup Worksheet lets you record the type of cards in the Desk Station V and the devices connected to the station's ports. Below is a condensed view of the worksheet's contents.

The full-page version of the worksheet is in the Appendix D: *Desk Station V Worksheets*.

**PREPARING THE  
DESK STATION V**

<b>Toshiba Desk Station V Setup Worksheet</b>		
Date Prepared:    /    /		
I. Expansion Slot Configuration		
Fill in the type of device, serial number and setup information.		
Expansion	Slot Card Device Type	Serial Number / Setup Information (Non-Plug and Play ISA Cards only)
Slot#1 <input type="checkbox"/> ISA <input type="checkbox"/> ISA Plug and Play <input type="checkbox"/> PCI	<input type="checkbox"/> Network <input type="checkbox"/> SCSI <input type="checkbox"/> Video <input type="checkbox"/> Other _____	Serial Number _____ IRQ # _____ <input type="checkbox"/> Fixed <input type="checkbox"/> Changeable DRQ # _____ <input type="checkbox"/> Fixed <input type="checkbox"/> Changeable I/O Base _____ Memory Base #1 _____ Size _____ Memory Base #2 _____ Size _____
Slot#2 <input type="checkbox"/> ISA <input type="checkbox"/> ISA Plug and Play <input type="checkbox"/> PCI	<input type="checkbox"/> Network <input type="checkbox"/> SCSI <input type="checkbox"/> Video <input type="checkbox"/> Other _____	Serial Number _____ IRQ # _____ <input type="checkbox"/> Fixed <input type="checkbox"/> Changeable DRQ # _____ <input type="checkbox"/> Fixed <input type="checkbox"/> Changeable I/O Base _____ Memory Base #1 _____ Size _____ Memory Base #2 _____ Size _____
Slot#3 <input type="checkbox"/> PCI	<input type="checkbox"/> Network <input type="checkbox"/> SCSI <input type="checkbox"/> Video <input type="checkbox"/> Other _____	Serial Number _____ IRQ # 11

II. System Port Configuration  
 Fill in the device connected to the serial port.

Port/Device	Setup Information (Resources)
Serial Port	<input type="checkbox"/> DISABLED <input type="checkbox"/> COM1 (I/O 3F8-3FFH, IRQ 4) <input type="checkbox"/> COM2 (I/O 2F8-2FFH, IRQ 3) <input type="checkbox"/> COM3 (I/O 3E8-3EFH, IRQ 4) <input type="checkbox"/> COM3 (I/O 3E8-3EFH, IRQ 5) <input type="checkbox"/> COM3 (I/O 3E8-3EFH, IRQ 7) <input type="checkbox"/> COM4 (I/O 2E8-2EFH, IRQ 3) <input type="checkbox"/> COM4 (I/O 2E8-2EFH, IRQ 5) <input type="checkbox"/> COM4 (I/O 2E8-2EFH, IRQ 7)
IrDA Port	<input type="checkbox"/> DISABLED <input type="checkbox"/> COM1 (I/O 3F8-3FFH, IRQ 4) <input type="checkbox"/> COM2 (I/O 2F8-2FFH, IRQ 3) <input type="checkbox"/> COM3 (I/O 3E8-3EFH, IRQ 4) <input type="checkbox"/> COM3 (I/O 3E8-3EFH, IRQ 5) <input type="checkbox"/> COM3 (I/O 3E8-3EFH, IRQ 7) <input type="checkbox"/> COM4 (I/O 2E8-2EFH, IRQ 3) <input type="checkbox"/> COM4 (I/O 2E8-2EFH, IRQ 5) <input type="checkbox"/> COM4 (I/O 2E8-2EFH, IRQ 7)
Parallel Port	<input type="checkbox"/> DISABLED <input type="checkbox"/> LPT1 (I/O 378-37FH, IRQ7) <input type="checkbox"/> LPT2 (I/O 278-27FH, IRQ5) <input type="checkbox"/> LPT3 (I/O 3BC-3BFH, IRQ7)
Sound System	<input type="checkbox"/> DISABLED I/O <input type="checkbox"/> 220H <input type="checkbox"/> 230H <input type="checkbox"/> 240H <input type="checkbox"/> 250H DRQ <input type="checkbox"/> 0 <input type="checkbox"/> 1 <input type="checkbox"/> 3 IRQ <input type="checkbox"/> 5 <input type="checkbox"/> 7 <input type="checkbox"/> 9 <input type="checkbox"/> 10 I/O 388-38BH (MIDI)
MIDI/Joystick	I/O 210H (only when on Deskstation V)
SelectBay CD-ROM	<input type="checkbox"/> Not Installed <input type="checkbox"/> I/O 170-177H, 376H IRQ15
VGA BIOS	Memory Address <input type="checkbox"/> E000-EFFFH <input type="checkbox"/> E400-EFFFH <input type="checkbox"/> C000-CBFFH

## Worksheet Contents

The information on the worksheet may come in handy when you need to know how you configured the expansion cards in the Desk Station V. If you call Toshiba Product Support, have this information available.

Fill in the date on the line at the top of worksheet.

Part one of the worksheet is for the three expansion slots. Check the type of expansion card you are using, check the type of slot card device and fill in the serial number of the card, the IRQ number and the DRQ number you assign during installation. For more information on IRQ and DRQ, please see the section "Configuration Considerations" on the next page.

Part two of the worksheet is for devices attached to the Desk Station V's ports. Identify the device in the left column. Where appropriate, check the box to indicate which setting you used.

### Filling in the Worksheet

- 1 Check the appropriate boxes indicating the type of cards you plan to install in the Desk Station V on the first part of the worksheet.
- 2 Fill in the base I/O address for each card.
- 3 Note the IRQ (if applicable) for each card. Mark whether the IRQ is fixed or changeable. Consult the card's documentation for this information.
- 4 Note the DRQ line (if applicable) for each card. Mark whether it is fixed or changeable. Consult the card's documentation for this information.
- 5 Note any serial peripheral device(s) you plan to attach to the Desk Station V on the second part of the worksheet. Examples of such devices include external modems and mice or other pointing devices.  
If the device uses a special device driver, make a note of whether there is a required IRQ. For example, MOUSE.SYS and MOUSE.COM (mouse device drivers) generally have to use COM1 or COM2, each of which have a required IRQ (IRQ4 and IRQ3, respectively).
- 5 Review the information you've entered on the worksheet. If necessary, make changes to each card's setup so each device has a unique IRQ and a unique DRQ.
- 6 Set each card's switches and/or jumpers to conform to the information on your worksheet. You may need to consult each card's documentation.

**NOTE:** *Be sure to configure devices before you install them. For example, if you're installing a diskette drive, make sure you set the drive selection properly. Save your Setup Worksheet. Having the information when you install additional cards may save you much time and aggravation.*

## Configuration Considerations

Windows 95 handles the installation and configuration of Plug and Play-compliant devices automatically when you restart your system after installing your device. It provides a wizard to detect and configure legacy (non Plug and Play-compliant) devices.

If the Add Hardware wizard is unable to detect your device, you need to manually specify your configuration. The following section describes the considerations involved in manually making a number of devices work together harmoniously. Read these sections carefully if you are unfamiliar with the procedures used to install a legacy expansion card or peripheral device.

### DMA Requirements

PREPARING THE  
DESK STATION V

Some expansion cards use Direct Memory Access (DMA), a practice that speeds processing by allowing devices to bypass the computer's microprocessor when transferring data in and out of memory. DMA is initiated by a DMA Request (DRQ). A DRQ is made via DRQ lines.

The Tecra 700 series has eight DRQ lines (lines 0-3 are 8-bit channels; lines 4-7 are 16-bit channels).

The DMA channels can be assigned to a variety of devices. This table lists the default setting assigned by the computer and/or Desk Station V for each DRQ line. Depending upon the device you use, you may or may not need a DMA channel. Verify that the device you are adding is not configured to conflict with the existing configuration. The default settings are:

<i>DRQ Line</i>	<i>Status</i>
0	Available
1	Used by the sound system
2	Used by the computer diskette controller
3	Used by the ECP (Enhanced Capabilities port)
4	Used by the computer
5	Available
6	Available
7	Available

The Sound System can be assigned to DRQ lines 0, 1, or 3.

The Enhanced Capabilities port can be assigned to DRQ lines 1, 2, or 3.

Make sure that you do not assign a previously assigned DRQ line to a new expansion card.

## **IRQ Requirements**

A computer's internal and external devices get the computer's attention by interrupting processing with a request. A device sends a request through an Interrupt ReQuest (IRQ) line.

The IRQ lines can be assigned to a variety of devices. Depending upon the device you use, you may or may not need an IRQ assignment. Each device must use a unique IRQ line for the system to function properly. Verify that the device you are adding does not conflict with the existing configuration. Most expansion cards let you select an IRQ line using switches or jumpers. This table lists the default assigned to each IRQ line by the computer and/or Desk Station V:

<i>IRQ Line</i>	<i>Status</i>
0	Used by the computer's timer (not available)
1	Used by the computer's keyboard (not available)
2	Used by the computer (not available, map to IRQ9)
3	Used by the computer's COM2 (if enabled)
4	Used by the computer's COM1 (if enabled)
5	Available
6	Used by the computer's diskette drive controller (not available)
7	Used by the computer's LPT1 port
8	Used by the computer's real-time clock
9	Available (redirected IRQ2)
10	Used by the sound system
11	Used by the PCI Bus and the Desk Station V internal SCSI adapter
12	Used by the computer's PS/2 mouse port (not available)
13	Used by the computer's math coprocessor
14	Used by the computer's hard disk drive controller
15	Used by the CD-ROM drive (if installed)

Do not assign an IRQ line to an expansion card if it's already in use by the computer or by another card in the Desk Station V.

Each system resource can use different interrupts.

Sound	5, 7, 9, 10
Parallel/ECP	LPT1/7, LPT2/5, LPT3/7
Serial (COM Port and/or IrDA)	COM1/4
Serial (COM Port and/or IrDA)	COM2/3
Serial (COM Port and/or IrDA)	COM3/4, 5, 7
Serial (COM Port and/or IrDA)	COM4/3, 5, 7

## I/O and Base Address

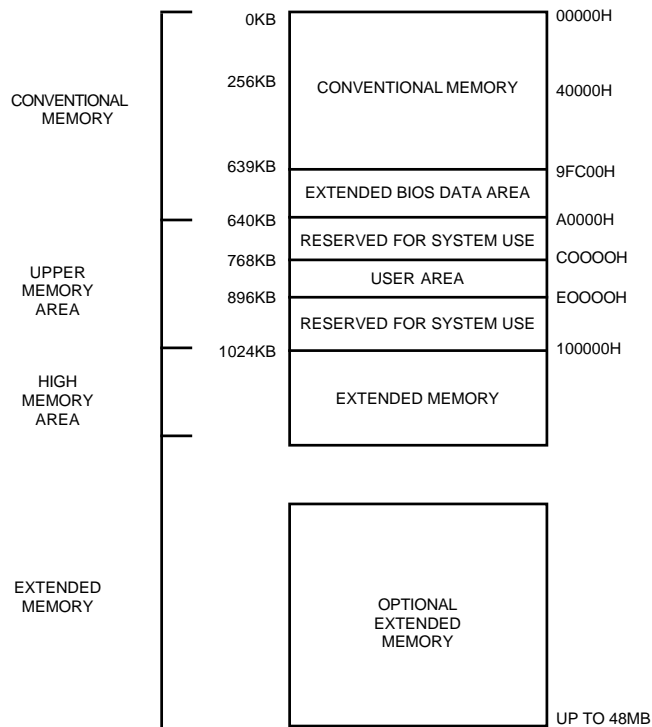
Some devices require a unique base Input/Output (I/O) address. Most cards that require a base memory address let you select one either with switches or jumpers on the card itself or with a software setup program.

I/O addresses generally available are:

- ❖ 100-1EF
- ❖ 1F8-2F7
- ❖ 300-377
- ❖ 380-3AF
- ❖ 3E8-3EF

## Computer Memory Map (Default Settings)

The following memory map shows which memory locations are used by the computer and which locations are free to be used by an expansion card. Consult the card's manual to determine its requirements. If you are still not sure of the memory locations available for your expansion card, contact your dealer.





## The Clock Rate

The Desk Station V is set to provide the computer's I/O clock rate to the expansion cards.

The Desk Station V does not support expansion cards requiring a 4.77MHz clock rate for proper operation. Before buying a card, check to see that it does not require operation at 4.77MHz.

## Installing Expansion Cards

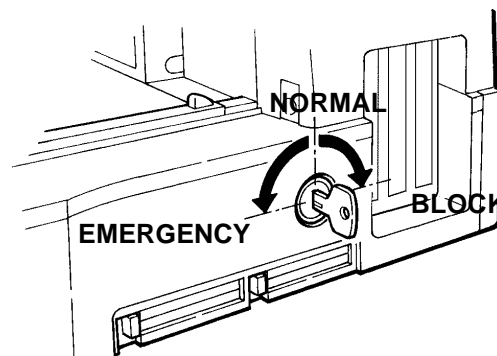
This section describes how to install expansion cards in the Desk Station V. These instructions assume that you've already prepared the expansion card according to the instructions in the section titled Configuration Considerations, and according to the instructions in the documentation for the expansion card.

The only tool you'll need for installing most expansion cards in the Desk Station V is a Phillips screwdriver. Refer to each card's documentation for exceptions.

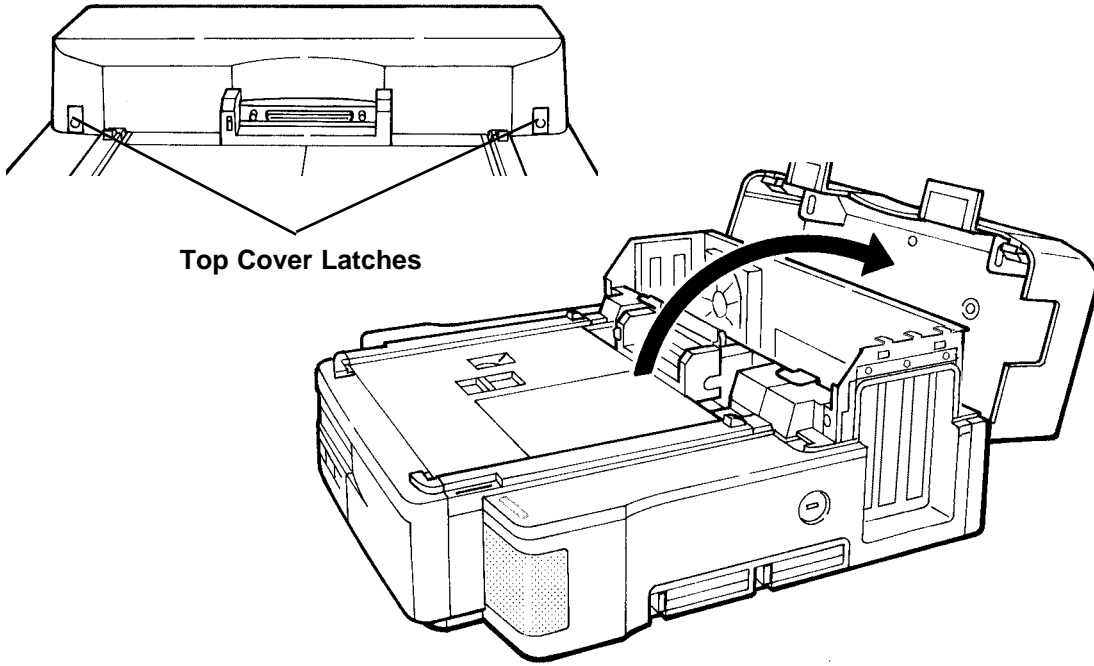
**CAUTION:** When disassembling or installing any parts in the Desk Station V, follow the procedures in this manual.

Follow these steps to install expansion cards in the Desk Station V.

- 1 Disconnect the AC power cord and all external devices from the Desk Station V.

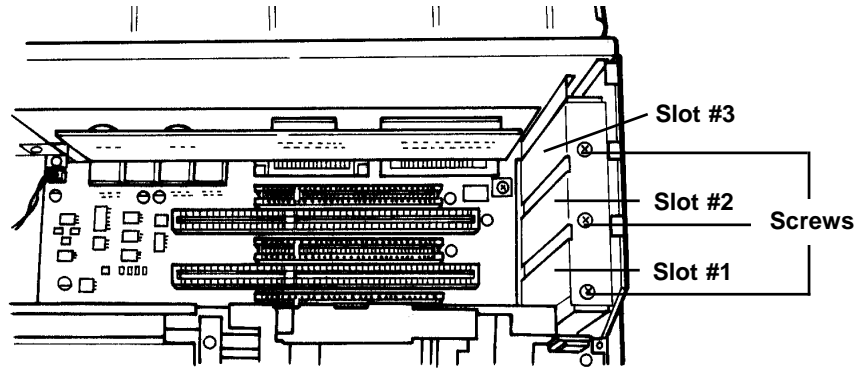


- 2 Set the Key-lock on the right side of the Desk Station V to either the Normal or Emergency position by turning the Key-lock counterclockwise.



PREPARING THE  
DESK STATION V

- 3 Press both top cover latches and open the top cover.  
You can now see the expansion slots inside the Desk Station V.



- 4 Locate the metal bracket that covers the expansion slot you plan to use.  
Slot 1 and 2 provide space for installing full-length ISA or PCI expansion cards. Slot 3 provides space for one half-length PCI card.
- 5 Remove the screw that holds the metal bracket in place.

- 6 Lift the bracket out of the computer.  
Store the metal bracket in a safe place in case you want to replace it in the future. Save the screw. You will use it to hold the expansion card in place in step 10.
  - 7 Align the metal panel of the expansion card with the expansion slot.  
If you are installing a full length card, be certain that the left end of the card fits into the plastic card guide.
  - 8 Gently slide the card into the slot until the connector rests on the socket.
  - 9 Visually confirm that the connectors are aligned, and then push the card all the way into the socket with firm and even pressure.
  - 10 Replace the screw you removed from the bracket in step 5 to secure the slot in place.
  - 11 Repeat steps 4 through 10 to insert an additional expansion card in the other slot.
  - 12 Close the top cover securing the latches on both ends of the cover.
  - 13 Reconnect the AC power cord and all external devices.
- Your Desk Station V is ready for use.

**WARNING:** *Do not insert foreign objects into the expansion slot. Doing so can cause the computer or the Desk Station V to malfunction. To prevent injury and ensure proper operation, keep the top cover closed during use.*

**NOTE:** *Make sure the computer is completely shut down when you dock it the first time after installing an expansion card. Do not dock the computer in Resume Mode immediately after installing an expansion card.*

## Installing and Removing a SelectBay Module

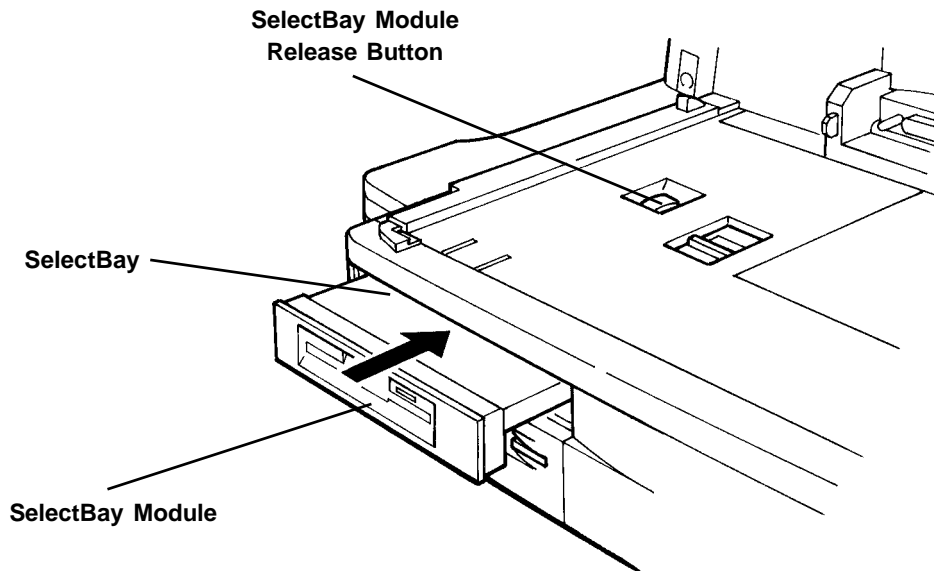
You can install a Toshiba SelectBay module, such as a 3 1/2" diskette drive or a CD-ROM drive, in the SelectBay on the front of the desk station. The SelectBay is designed for easy installation and removal of these modules.

### Installing a SelectBay Module

To install a SelectBay module, follow these steps:

- 1 Turn the computer off and undock it from the Desk Station V.
- 2 Locate the **SelectBay** on the front of the Desk Station V.

PREPARING THE  
DESK STATION V



- 3 Insert the module into the SelectBay with the flat surface up and toward the rear of the Desk Station V. When the module is in most of the way, push it all the way into the connector with firm and even pressure.

Make sure that the **SelectBay module release button** on the top pops up, indicating the module is snugly seated in the SelectBay.

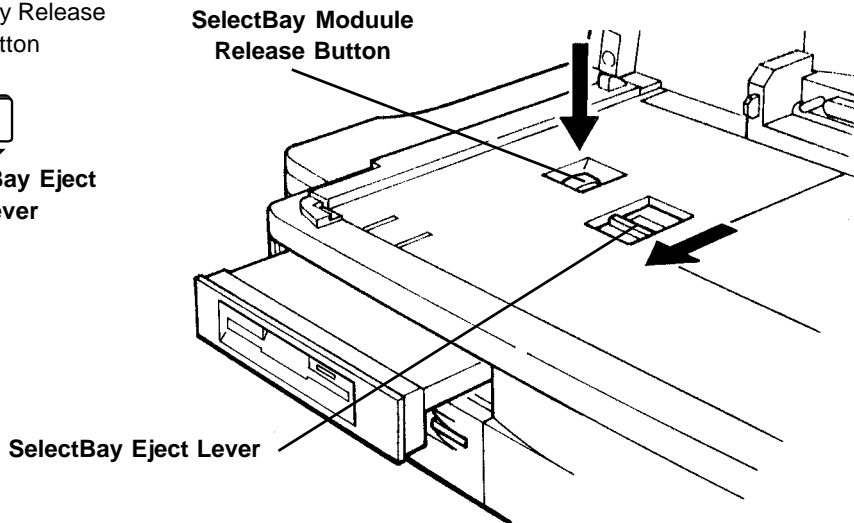
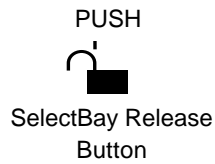
You are now ready to use your Desk Station V with the SelectBay module.

**NOTE:** You cannot install two SelectBay modules of the same type in the Desk Station V and the computer.

## Removing a SelectBay Module

To remove a SelectBay module from the SelectBay, follow these steps.

- 1 Turn the computer's power off and remove the computer from the Desk Station V.
- 2 Locate the **SelectBay module release button** and the **SelectBay eject lever** on the top of the Desk Station V.



- 3 While pushing the **SelectBay module release button**, slide the SelectBay eject lever towards the front. The module partially ejects from the SelectBay.
- 4 Gently pull the module out of the SelectBay.

## Installing a Device in the Expansion Bay

The 5 1/4" expansion bay provides a convenient location for a variety of expansion devices, such as a hard disk drive or a CD-ROM drive.

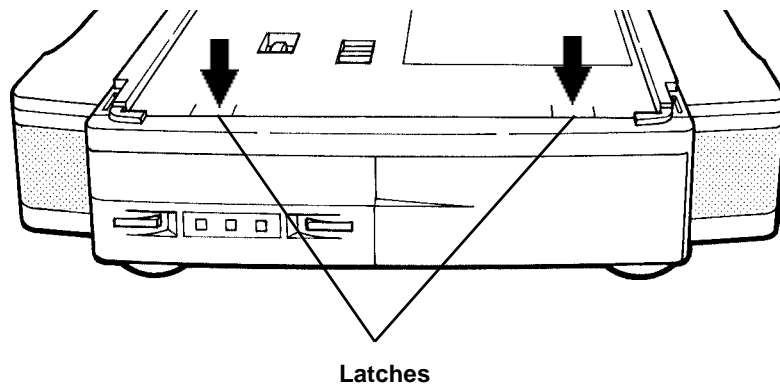
This section assumes that if your 5 1/4" device requires connection to a controller card, you've already installed the card following the instructions in the section entitled "Installing Expansion Cards."

The maximum expansion bay size is 1.7" x 8.2" x 5.9" (43 x 208 x 150 mm).

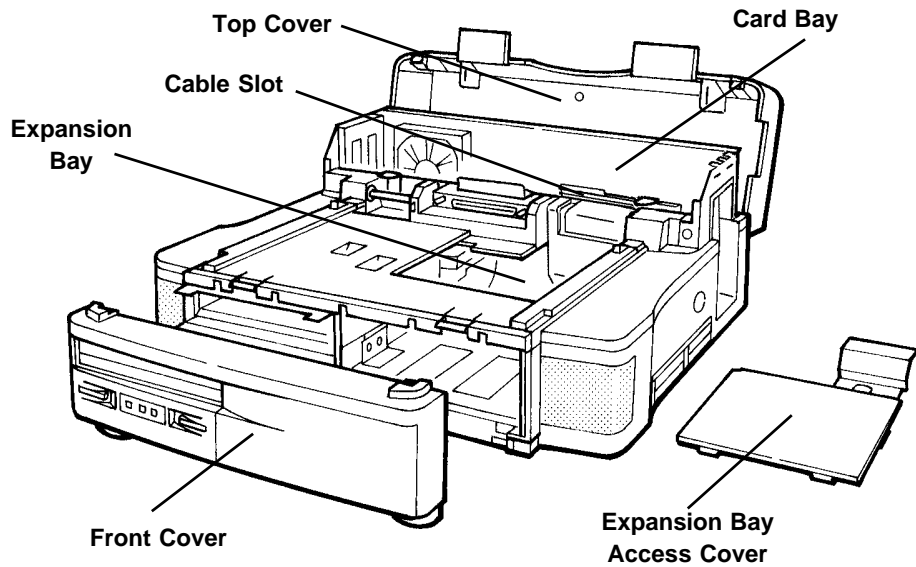
**NOTE:** Any device installed in the Desk Station V must be a UL Recognized Component in the United States or approved by the appropriate agencies for the country in which it is used.

Follow these steps to install a device in the Desk Station V:

- 1 Disconnect the AC power cord and all external devices.
- 2 If you have a SelectBay module installed, remove it.
- 3 Remove the front panel and set it aside. The front panel is fixed to the plastic base with two latches on the upper edge. Press the plastic base downward at the latches to release them, gently rotate the top of the base down and the bottom edge up and out. This should release the three tabs on the bottom of the panel that fit into the metal base.

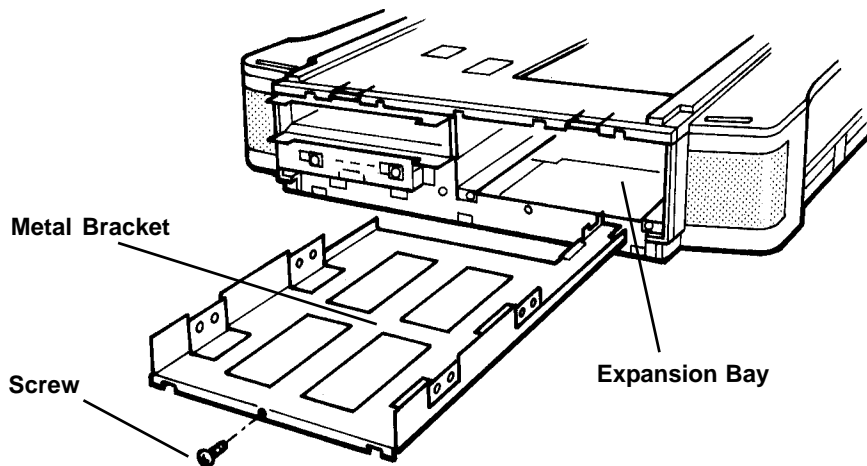


- 4 Open the **top cover**. (See the section entitled "Installing Expansion Cards" for instructions on opening the top cover.)
- 5 Locate the **expansion bay access cover** that protects the expansion bay in the upper right corner of the top.  
This cover is fixed to the plastic base with two latches on both sides.
- 6 Remove the expansion bay access cover by lifting it up.



PREPARING THE  
DESK STATION V

- 7 Locate the **metal bracket** inside the expansion bay.
- 8 Remove the **screw** that holds the metal bracket in place.
- 9 Slide the metal bracket out of the **expansion bay**.

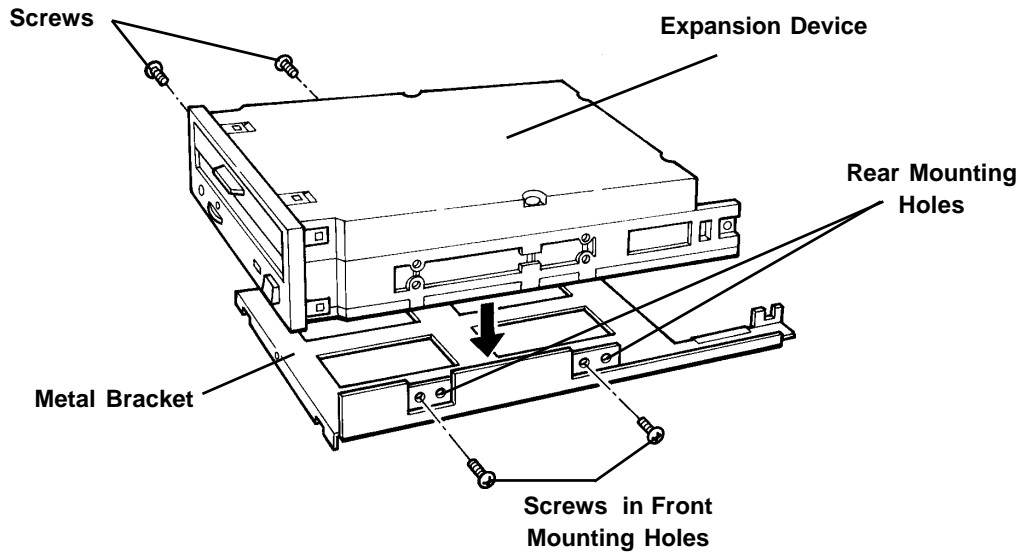


- 10 Align the appropriate holes on both sides of the **metal bracket** with the holes on the **expansion device** to be installed.

Use the front set of mounting holes for devices that require access from the front of the desk station, such as a CD-ROM, tape device or optical disk drive. When installing these devices, remove the front panel.

Use the rear set of mounting holes for devices that do not require front access, such as a hard disk drive. When installing these devices leave the front panel attached to the front of the Desk Station V.

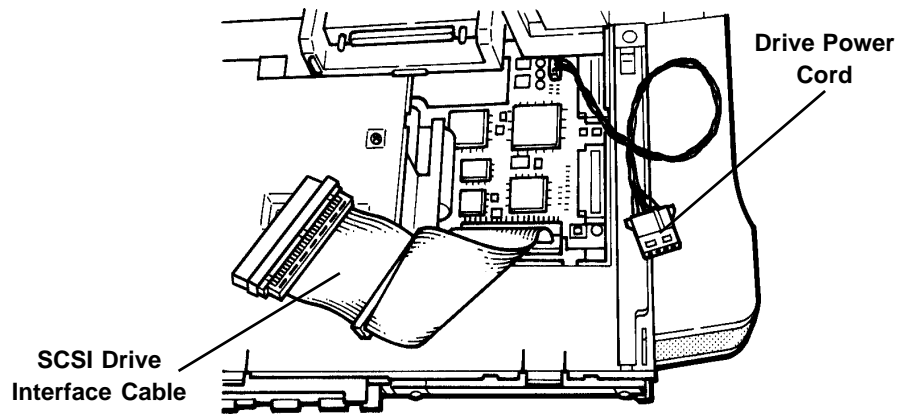
- 11 Secure the bracket to the device with two **screws** on each side.



**NOTE:** Use the type of screws specifically required for your expansion device. Screws are not included with the Desk Station V.



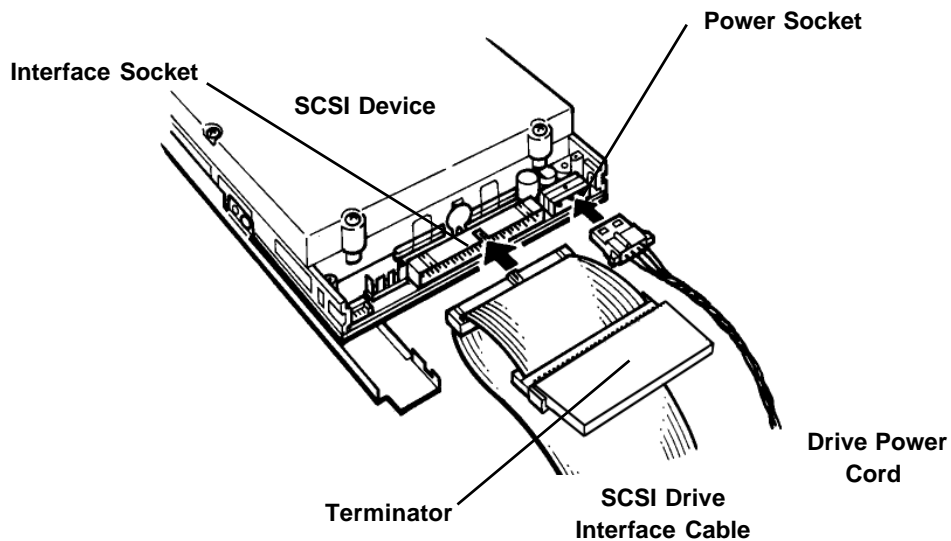
Your Desk Station V comes equipped with a **SCSI drive interface cable** and a standard **drive power cord**. These are already connected to the sockets on the mother board.



If you are installing a SCSI device and you will be using the internal SCSI adapters, use these cables and cords. The power cord can be used with and 5 1/4" device.

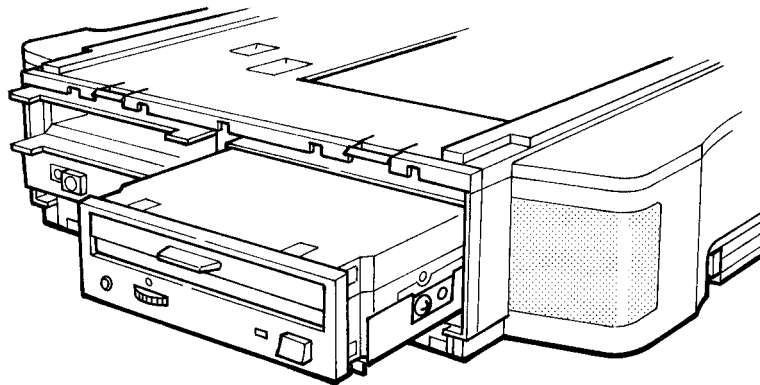
- 12 Connect the power cord connector to the **power socket** of the 5 1/4" device.
- 13 Connect the interface cable to the **interface socket**. Be certain that pin 1 of the cable is aligned with pin 1 of the device connector.

Note that the interface cable is terminated with a terminator at the end. Connect the device with the connector in the middle of the cable.



- NOTE:**
- 1 Do not remove the terminator from the SCSI interface cable. If you do, the SCSI device and/or other external devices you are attaching to the **SCSI port** can malfunction.
  - 2 If the SCSI device you are installing has its own terminator function, disable or remove it and use the terminator attached to your Desk Station V's SCSI interface cable.
  - 3 The Default SCSI ID for the SCSI adapter is 7. Choose another unique ID for SCSI devices you are installing.

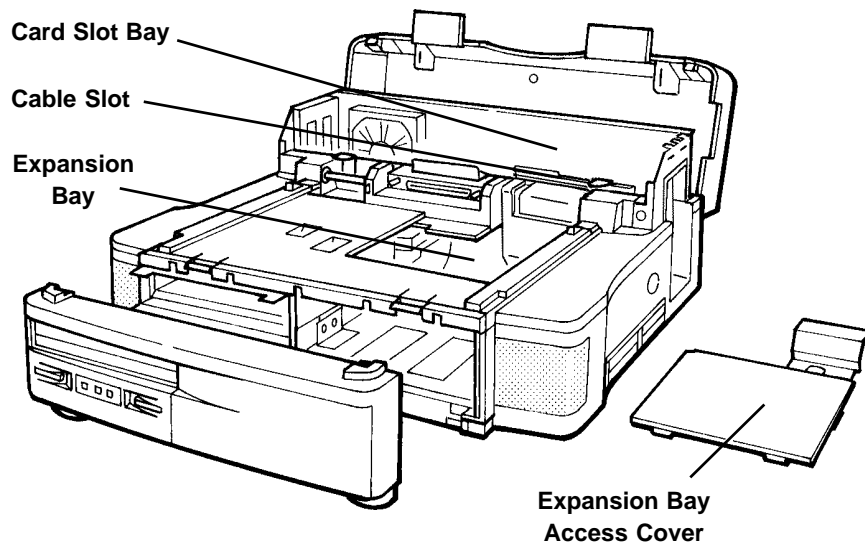
- 14 When connecting a cable to a card in the 5 1/4" expansion slot, try to lay the cable flat so that it does not obstruct cooling air flow.
- 15 Align the expansion bay guides with the bracket, slide the device into the expansion bay, and secure with the screw you removed in step 8.



- 16 A 5 1/4" device can receive power from either the Desk Station V's drive power cord or through an expansion card installed in the expansion slot. The power supply socket is located on the mother board with the pin assignments shown below.

<i>Pin Number</i>	<i>Signal</i>
1	+12V
2	GND
3	GND
4	+5V

- 17 If your 5 1/4" device is powered through an expansion card, or if it requires connection to an expansion card you've installed (e.g., a drive controller card), route the cable to the expansion card and connect it to the appropriate connector.
- 18 Slip the cable through the horizontal slot in the wall between the drive bay and card slot bay.
- 19 Carefully fit the cable between the plastic guides so the cable slides freely in the slot.



PREPARING THE  
DESK STATION V

- 20 Carefully replace the expansion bay access cover you removed in step 6. Make certain the cables are flat and not pinched by the cover.
- 21 Close the top cover, securing the latches on both ends of the cover.

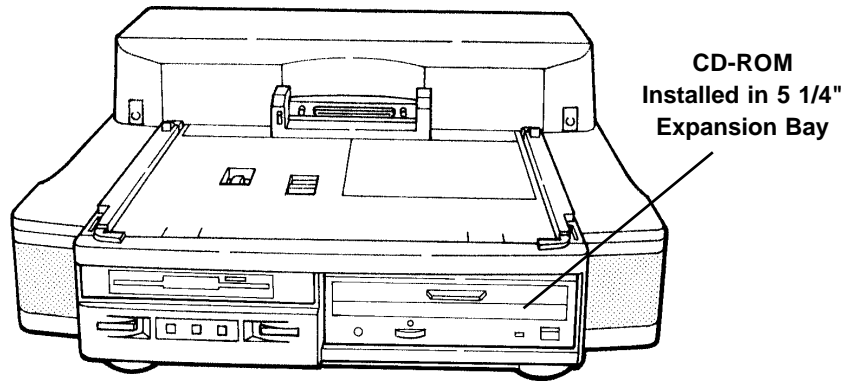
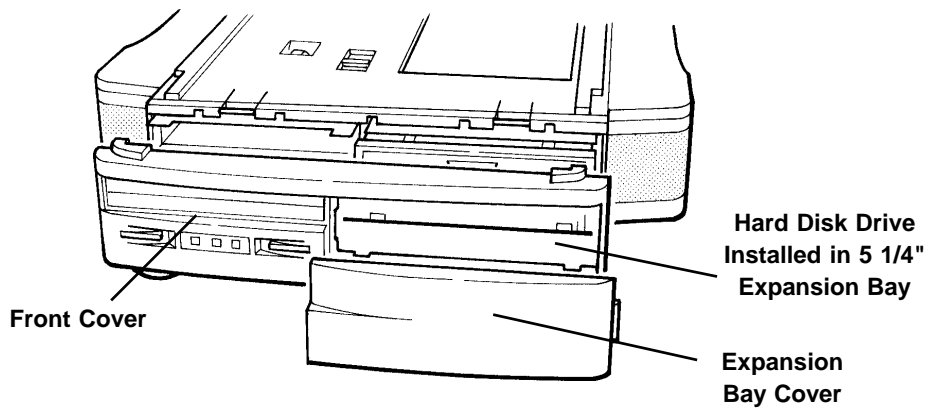
**CAUTION:** *The Desk Station V's top cover can catch on cables when you're replacing it. In routing the cables, try to fold them as flat as possible. Exercise caution to ensure you do not catch the cables when you are closing the cover.*

22 Replace the **front cover**.

If you are installing a device that does not need to be accessed from the front, such as a hard disk drive, use the rear mounting holes and replace the **front cover** with the **expansion bay cover** intact.

If you are installing a device that needs to be accessed from the front, such as a CD-ROM drive, use the front mounting holes and remove the **expansion bay cover** before replacing the **front cover**. Store the expansion bay cover in a safe place for future use.

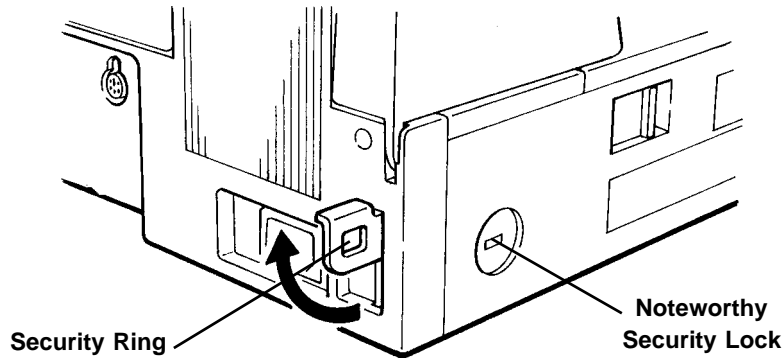
PREPARING THE  
DESK STATION V



Your Desk Station V is ready for use with the 5 1/4" device.

## Security Lock and Security Ring

The security lock and security ring allow you to anchor your Desk Station V to a secure object, such as a desk, to prevent others from removing your Desk Station V.



### Attaching the Security Lock

- 1 Take the looped end of the steel cable and wrap it around an immovable object. Choose an object that prevents an intruder from slipping the cable out from under the object.
- 2 Feed the locking device through the looped end of the cable.
- 3 Insert the computer lock into the security lock slot on the left side of the Desk Station V. Turn the key clockwise while firmly pressing it into the slot.
- 4 Remove the key and store it in safe place.

### Using the Security Ring

- 1 Pull the security ring out and raise it to the upright position.
- 2 Chain the Desk Station V to the secure object using the security ring.

**PREPARING THE  
DESK STATION V**

## Chapter 4

# Using the Desk Station V

This chapter describes how to use the Desk Station V with your computer and its external devices.

## Docking the Computer in the Desk Station V

The Desk Station V's VCR-style docking mechanism provides a fail-safe system for docking and undocking the computer. If you are using Windows 95, the **hot-docking** feature allows you to dock and undock the computer while the computer's power is on. If your computer is using a non-Plug and Play operating system, such as an earlier version of Windows or MS-DOS, the computer's power must be off when docking and undocking.

If you are using MS-DOS or Windows 3.x, turn the computer off and make sure the computer is not in the Resume Mode before docking or undocking the computer to the Desk Station V. To take your computer out of Resume Mode, use the hotkey or change the power up mode setting in TSETUP. Consult the *Tecra 700 Series User's Guide* for instructions.

**CAUTION:** *You cannot use Resume Mode in Windows 3.x or MS-DOS while the computer is docked to the Desk Station V.*

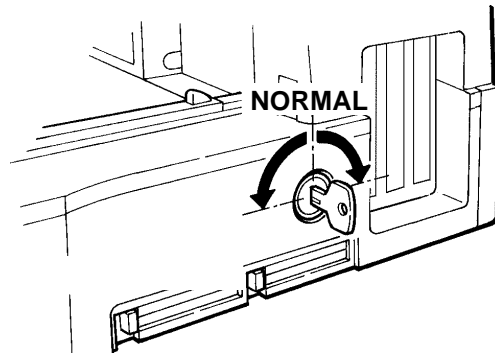
When you have installed all the expansion cards and/or any devices in the SelectBay and the 5 1/4" expansion bay, you are ready to dock your computer in the Desk Station V.

Follow these steps to dock the computer:

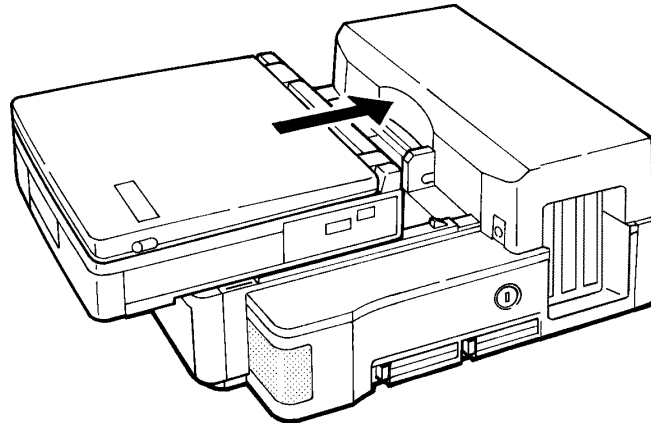
- 1 Connect the AC power cord to the **AC-IN** socket on the back of the Desk Station V.
- 2 Make sure the Desk Station V is level and secure on the desk or table. The computer can fall from the Desk Station V if it is not level.  
When the power is connected, the Desk Station V's power indicator glows orange.
- 3 Set the Key-lock on the right side of the Desk Station V to the Normal position.



AC-IN



- 4 If the computer is running with Windows 95, the **hot-docking** feature allows you to connect it to the Desk Station V even while it is powered on. If the computer is not running with Windows 95, always turn the computer off before docking it.
- 5 Remove all cables from the back of the computer and close both port covers.
- 6 Place the computer on the Desk Station V's guiding rails, so that the expansion port on the computer is about 1" (2.5 cm) from the connector on the Desk Station V.



USING THE  
DESK STATION V



Docking Indicator

- 7 With both hands on the front of the computer, slide it evenly into the Desk Station V until the **docking indicator** on the front of the Desk Station V starts blinking green.

The Desk Station V latches automatically lock onto the slots on the bottom of the computer.

The docking indicator on the front of the Desk Station V stops blinking and

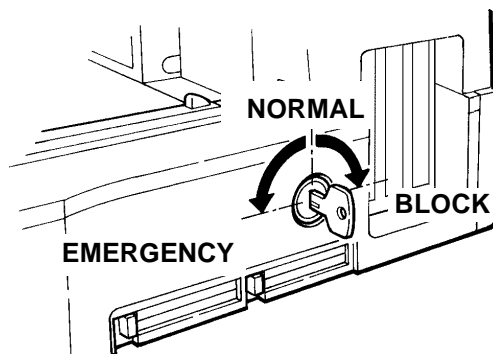


turns green when the computer is securely docked on the Desk Station V. If the docking indicator continues blinking orange, the computer is not securely docked, the Desk Station V will eject it. Attempt to re-dock the computer by repeating steps 1 through 7. If the indicator light continues to blink orange, consult your dealer.

## Using the Key-Lock

Two keys are supplied with the Desk Station V. Remove one key from the ring and store it in a secure place.

The key-lock on the right side of the Desk Station V has three positions: **NORMAL**, **BLOCK**, and **EMERGENCY**. To secure the computer and prevent unintentional undocking or unauthorized access to the Desk Station V, set the Key-lock to the Normal or Block position.



Undocking  
Switch

When the Key-lock is set to the **NORMAL** position, you can automatically undock the computer from the Desk Station V by pressing the **undocking switch** on the front of the desk station.

When the Key-lock is set to the **BLOCK** position, the computer cannot be undocked from the Desk Station V. Setting the Key-lock to the **BLOCK** position locks the top cover and the expansion bay access cover, preventing unauthorized access to the expansion slots inside the Desk Station V.

When the Key-lock is in the **EMERGENCY** position, you can manually undock the computer from the Desk Station V in the case of emergency, such as a power failure.

**CAUTION:** Turn the key fully right or left to make sure the lock is secure. Remove the key and store it after docking the computer and securing the lock.

## Turning the Computer On and Off

This section describes how to turn the computer on and off when it is connected to the Desk Station V. Before you switch on the computer's power, make sure you've completed all appropriate setup steps from the preceding chapter. You should have all the peripherals you plan to use already attached and powered on. Specifically, if you have installed a SCSI device in the expansion bay and/or attached SCSI devices to the **SCSI** port, you must turn all of them on before turning the System/Desk Station V on. Also, the SCSI interface cable attached to the **SCSI** port should be connected to at least one SCSI device and properly terminated. If it is not, remove it. If your computer is not running with Windows 95, turn Resume Mode off before you turn the power off. Turn Resume Mode off by pressing **Fn + F3** or using MaxTime. For further instructions, consult the *Tecra 700 Series User's Guide*.

### Turning the Computer On

Follow these steps to turn the computer on. These instructions assume the computer is not in Resume Mode.

- 1 Connect the power cord to the **AC-IN** socket on the back of the Desk Station V and to a live wall outlet.

The Desk Station V's **power indicator** glows orange and the computer's **DC-IN** indicator glows green.

If the computer's **DC-IN** indicator does not glow green, there is a power supply problem. Refer to the "Troubleshooting" chapter to resolve the problem.

- 2 Press either the **power switch** on the front of the Desk Station V or the power switch of the computer.

If the computer is correctly attached, both the computer and Desk Station V are turned on and both the desk station's **power indicator** and the computer's power indicator turn green.

The message "TOSHIBA Desk Station ATTACHED" appears on the display and the computer's startup routine proceeds normally.



AC-IN



Power Indicator



Power Switch

## Turning the Computer Off

Before turning the computer off:

- 1 Exit from any software you are using.

If you are using Windows 95, click Start and click Shut Down. Follow the instructions on the screen.

- 2 Make sure any diskette drives are empty.

If one of the **drive-in-use** indicators on either the computer or the Desk Station V is glowing, the computer is accessing one of the disk drives. Wait until neither light is glowing before proceeding.



Drive-in-use Indicator

**WARNING:** If either **drive-in-use** indicator is glowing, do not turn your computer off. You may damage your disk or lose data.



Power Switch

- 4 Press the **power switch** on the front of the Desk Station V or the power switch of the computer until you hear a beep. The Desk Station V's **power indicator** turns orange and the system shuts down.

If the computer shuts down and you do not hear a beep, check the alarm configuration in TSETUP and/or the volume setting.



Power Indicator

**NOTE:** Wait a few seconds before turning the power on again. The system may malfunction if you turn the computer and the Desk Station V on and off quickly.

If you leave the Desk Station V connected to a live power outlet, the Desk Station V charges the computer's battery. When the battery is fully charged, the battery indicator on the computer glows green.

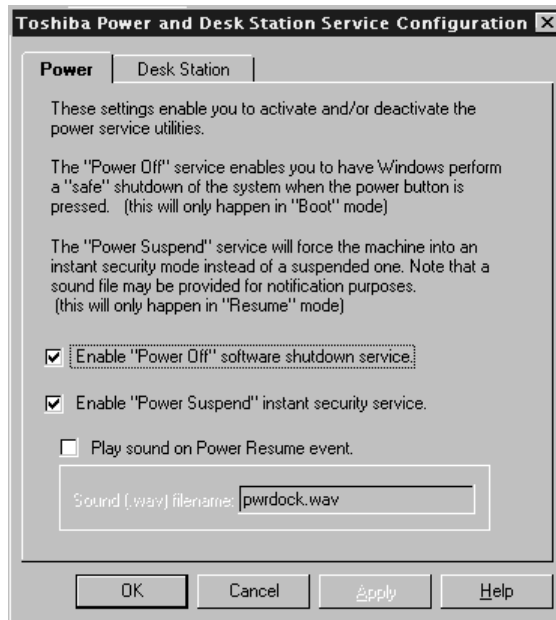
## ***Undocking the Computer***

You can undock (remove) the computer from the Desk Station V either automatically or manually. If you are using Windows 95, you can decide how you want your computer and Desk Station V to undock.

### ***Setting the Power Service Utilities in Windows 95***

Use the Toshiba Power and Desk Station Service Configuration to set the power service utilities.

- 1 Click the Toshiba Power and Desk Station Service Configuration icon in the Control Panel.
- 2 Click the Power tab.



USING THE  
DESK STATION V

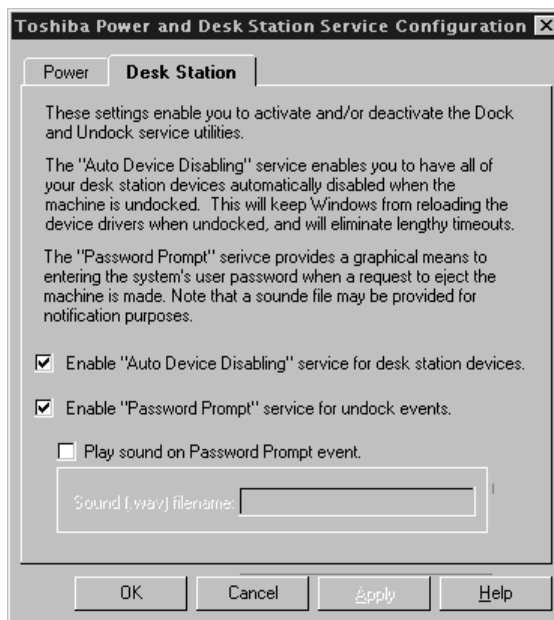
Checking the "Power Off" box enables Windows to perform a "safe" shutdown of the system when you press the power button on the Desk Station V.

Checking "Power Suspend" will force the computer into an instant security mode instead of a suspended one when you press the power button on the Desk Station V. You can assign a sound to be played when power is resumed.

## Setting the Dock and Undock Service Utilities in Windows 95

Use the Toshiba Power and Desk Station Service Configuration to activate and/or deactivate the Dock and Undock service utilities.

- 1 Click the Toshiba Power and Desk Station Service Configuration icon in the Control Panel.
- 2 Click the Desk Station tab.



When the "Auto Device Disabling" service is enabled, the computer automatically disables all external PCI devices for the undocked profile.

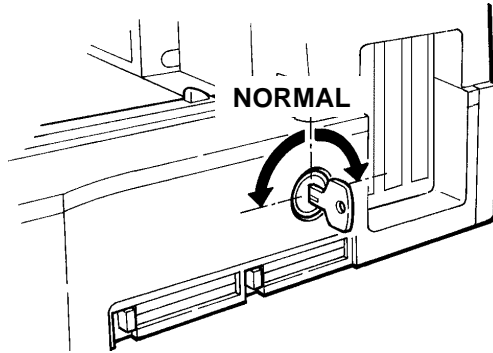
When the "Password Prompt" is enabled, the computer will display a password request prompt when you attempt to eject the computer from the Desk Station V. You can assign a sound to be played when the password prompt is displayed.

**WARNING:** *Before you undock your computer, always save your work and all your files.*

## Automatic Undocking

Follow these steps to undock your computer from the Desk Station V automatically:

- 1 Set the Key-lock on the right side of the Desk Station V to the Normal position.

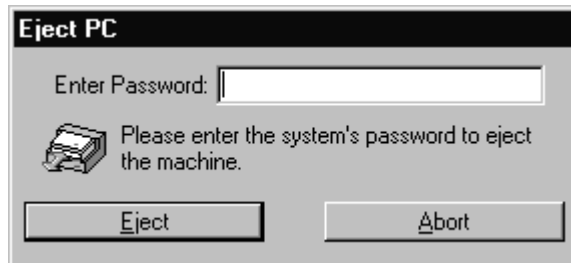


- 2 If the computer is running with Windows 95, the **hot-undocking** feature allows you to disconnect it from the Desk Station V even while the power is on. If the computer is running with MS-DOS or an earlier version of Windows, save your files, exit any open application, be certain Resume is disabled, and turn the computer's power off before undocking it.

**WARNING:** Be sure your Desk Station V is on a level surface before pushing the eject switch. If the Desk Station V is not level, the computer may slide and fall when it is ejected.

- 3 Push the **undocking switch** on the front, or double-click the Eject PC icon on the Windows 95 operating system screen.

If you have enabled the password option in TSETUP and entered a password, the following prompt appears.



USING THE  
DESK STATION V



Undocking Switch

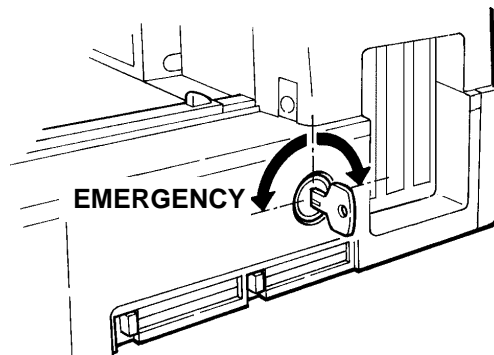


- 4 Enter your password and click Eject.  
The **docking indicator** starts blinking green, and the Desk Station V automatically releases the computer latches, retracts the guide pins to free the computer, and slides the computer toward the front.
- 5 Use both hands to guide the computer while the Desk Station ejects it.
- 6 When the docking indicator turns orange, remove the computer from the Desk Station V.

## Manual Undocking

To manually remove the computer from the Desk Station V, follow these steps:

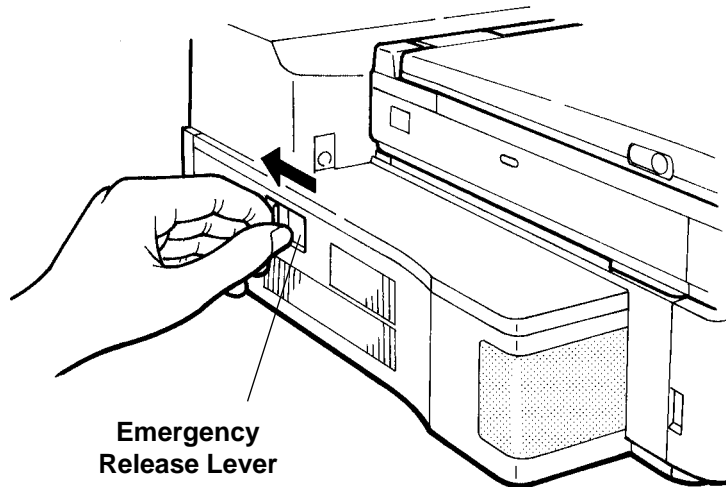
- 1 Turn the Key-lock on the right side of the Desk Station V counterclockwise and set it to the Emergency position.



- 2 Turn the computer off.



- 3 Slide the **emergency release lever** on the left side of the Desk Station V toward the back to undock the computer from the Desk Station V.



- 4 Facing the front of the computer, grasp the computer firmly with both hands and slide it straight out.
- 5 Remove the computer. If you encounter resistance, check to see that the computer is fully detached. If it is not, repeat step 3.

**CAUTION:** When you remove the computer, pull it straight forward with both hands on the front. Do not wiggle the computer back and forth while it is connected to the Desk Station V. Excessive movement can damage the connector.



## Using Ports

The Desk Station V replaces the function of most of your computer's built-in ports and adds additional ports. This section explains how to use the Desk Station V's ports in conjunction with the computer's ports.

### Ports on the Computer and Desk Station V

This table summarizes how the computer's ports are affected when you attach your computer to the Desk Station V:

#### *Computer Port*

Serial Port: not available

Printer Port: not available

RGB Port: not available

External Keyboard Port: not available

Mouse Port: not available

Infrared Port: not available

PC Card Slots: 0 and 1 are accessible

Microphone Jack: not available

Headphone Jack: not available

#### *Desk Station V Port*

Serial Port: pass through from the system, available for a serial printer, mouse or other serial devices.

Printer Port: available for Centronics compatible parallel devices. This port also supports an Enhanced Capabilities Port (ECP) function.

RGB Port: pass through from the system, available for an external analog video display.

External Keyboard Port: pass through from the system, available for a PS/2 type keyboard.

Mouse Port: pass through from the system, available for a PS/2-type mouse.

No equivalent port

PC Card Slots: Slots 2 and 3 are for standard PC Cards. All PC Card slots of the computer and the Desk Station V are available for use at the same time (up to 4).

Microphone Jack: pass through from the system, available for a stereo microphone.

Headphone Jack: pass through from the system, available for a stereo headphone.

**Computer Port**

No equivalent port

No equivalent port

No equivalent port

No equivalent port

**Desk Station V Port**

Line-In Jack: a miniature stereo jack to input audio signals from an external sound source.

Line-Out Jack: a miniature stereo jack to output audio signals.

MIDI/Joystick Port: available for a MIDI device or a Joystick.

SCSI Port: a 50-pin, high density shielded connector to connect SCSI devices to the Desk Station V.

## Using an External Keyboard

The Desk Station V's external keyboard port lets you use an external keyboard with your computer. You can attach a PS/2-compatible external keyboard to this port.

**CAUTION:** Do not plug in a PS/2-compatible external keyboard while the computer is on.

Use an external keyboard just as you would use your computer's keyboard. Your computer's keyboard continues to function when you connect an external keyboard to the Desk Station V.

Keep these points in mind:

- ❖ You cannot access the computer's numeric keypad overlay when an external keyboard is attached. (Use the external keyboard's numeric keypad instead.)
- ❖ The keyboard indicators, **Caps Lock** and **Num Lock**, on both the computer's keyboard and the external keyboard identify the current status of the attached external keyboard.

Follow these steps to attach an external keyboard:

- 1 Make sure your computer is not in Resume Mode.
- 2 Turn the computer off.
- 3 Unplug the power cord from the Desk Station V.
- 4 Connect the PS/2 compatible keyboard to the keyboard port on the back of the Desk Station V.
- 5 Plug the power cord into the Desk Station V.
- 6 Turn the computer on.

If necessary, refer to the section entitled "Starting the Desk Station V," earlier in this chapter.

## Using a PS/2 Mouse

A mouse is a pointing device that makes many applications easier to use. Some applications require a mouse.

To use a PS/2-compatible mouse, follow the instructions in the mouse documentation and the section "Using a PS/2 Mouse" in the *Tecra 700 User's Guide*.

Follow these steps to attach a PS/2 mouse:

- 1 Make sure your computer is not in Resume Mode.
- 2 Turn the computer off.

**CAUTION:** Do not plug in a PS/2 mouse while the computer is on.

- 3 Unplug the power cord from the Desk Station V.
- 4 Connect the PS/2 mouse to the PS/2 mouse port on the back of the Desk Station V.
- 5 Plug the power cord into the Desk Station V.
- 6 Turn the computer on.

If necessary, refer to the section entitled "Starting the Desk Station V," earlier in this chapter.

## Connecting a Printer

When you attach your computer to the Desk Station V, the Desk Station V's printer port replaces the functions of the computer's printer port. To connect the printer to the Desk Station V, follow these steps:

- 1 Identify the two ends of the printer cable. One end connects to the Desk Station V. The other end connects to the printer.
- 2 With the printer off, connect the printer cable to your printer.
- 3 Connect the printer cable to the Desk Station V's parallel port.

## Connecting an External Monitor

When you attach your computer to the Desk Station V, the Desk Station V's RGB port replaces the functions of the computer's RGB port. To connect an external monitor, follow these steps:

- 1 Unplug the Desk Station V from the AC outlet.
- 2 Connect the monitor's video cable to the RGB port on the back of the Desk Station V.
- 3 Turn the external monitor on.

- 4 Plug the Desk Station into the AC outlet.

If your external monitor can display higher resolution video modes than 640 x 480, you change the video mode to the higher resolution. To do this, see "Changing the Display Mode" in the *Tecra 700 User's Guide*.

When you dock your computer in a Desk Station V, the BIOS detects an external monitor and automatically switches the display to the external monitor. When you undock the computer, the BIOS automatically resets the active display to the LCD panel on the computer.

## Installing SCSI Devices

You can connect SCSI devices to the Desk Station V through a SCSI interface cable attached to the 50-pin, high density shielded connector of the Desk Station V's **SCSI** port.

Before you can use your SCSI device, you must do one of the following.

If you are using MS-DOS or Windows 3.x, install the AMD PCscsi drivers and utilities. Refer to the AMD PCscsi manual that came with the Desk Station V for instructions.

If you are using Windows 95, verify that the updated AMD drivers are loaded. Refer to the AMD PCscsi manual that came with the Desk Station V for instructions.

**NOTE:** *All of the SCSI devices attached to the SCSI port must be turned on before turning on the Desk Station V.  
Do not attach a SCSI cable with no SCSI device connected.  
At least one SCSI device must provide SCSI power for the device(s) to be recognized.*

## Installing the CRT Stand

If you use both an external monitor and an external keyboard while your computer is connected to the Desk Station V, you may find it convenient to use the CRT stand.

**CAUTION:** *The CRT stand can support monitors weighing up to 77 pounds (35kg). Using a heavier monitor on the CRT stand may cause damage to the CRT stand, the Desk Station V and your computer.*

## ***Taking Care of the Desk Station V***

The Desk Station V performs best if you take care of it properly. Follow these guidelines:

- ❖ Attach the computer to the Desk Station V firmly.
- ❖ Do not move the Desk Station V with a computer attached.
- ❖ Do not block the cooling vents and cooling fan.
- ❖ Observe the same general safeguards for the Desk Station V as for your computer.



# Chapter 5

## Troubleshooting

This chapter suggests steps to follow when your Desk Station V does not work as described in this manual. If you have a problem with your Desk Station, this chapter can help you identify and solve it.

Use this chapter in conjunction with the troubleshooting procedures in your computer's documentation.

### ***Try the Simplest Solutions First***

Always try the simplest solutions first. For example, before you disassemble the Desk Station V, check to see if the power cord is plugged in.

Ask yourself these questions:

- ❖ Are all cables properly connected?
- ❖ Is the computer turned on?
- ❖ Does the power status LED indicator glow green?
- ❖ Is the Desk Station V connected to a "live" power outlet?
- ❖ Is the computer securely connected to the Desk Station V?
- ❖ Are the cables to peripheral devices securely attached?
- ❖ Were all peripheral devices turned on before starting the system?
- ❖ Was Resume Mode off when you turned the computer on?

If the answers to these questions don't provide a solution, check specific problem areas in the following sections.

## Expansion Card Problems

If an expansion card doesn't work properly, ask yourself these questions:

- ❖ Did you follow the expansion card's installation instructions correctly? Read the instructions again to see if you forgot a step.
- ❖ Are the jumpers on the expansion card (if any) set correctly? Refer to the card's instructions for the appropriate settings.
- ❖ If your expansion card came with operating software, did you install the software correctly? For example, if you are using MS-DOS or Windows 3.1 you may need to specify a device driver in your CONFIG.SYS file. Follow the instructions in the card's documentation.
- ❖ Is the problem what you think it is? Sometimes a problem's symptom can be misleading. For example, in MS-DOS and Windows 3.1, a Terminate and Stay Resident (TSR) program may interfere with a card's operation. Try to isolate the problem by removing software drivers from your system's AUTOEXEC.BAT and CONFIG.SYS files.
- ❖ If the card is not Plug and Play and you're using MS-DOS or Windows 3.1, did you assign a unique IRQ line to each expansion card? Review your Setup Worksheet to make sure you didn't accidentally assign the same IRQ to more than one device. If one expansion card's IRQ line assignment is the same as that of the Desk Station V's serial port, a PC card or another expansion card, you will experience problems. Refer to the section entitled Configuration Considerations in the chapter, Preparing the Desk Station V.
- ❖ If the card is not Plug and Play and you are using MS-DOS or Windows 3.1, did you assign a unique DRQ line to each expansion card? Does either expansion card use DRQ line 2 (which is used by the computer system)? Review your Setup Worksheet to make sure you didn't accidentally assign the same DRQ to more than one device. Refer to your card's documentation to see how to configure the card. Refer to the section entitled Configuration Considerations in the chapter, Preparing the Desk Station V.
- ❖ If the card is not Plug and Play and you are using MS-DOS or Windows 3.1, did you assign a unique I/O port to each expansion card? Review your Setup Worksheet to make sure you didn't accidentally assign the same I/O port to more than one device. Refer to your card's documentation to see how to configure the card. Refer to the section entitled Configuration Considerations in the chapter, Preparing the Desk Station V.



- ❖ If the card is not Plug and Play and you are using MS-DOS or Windows 3.1, did you assign a unique memory address to each expansion card? Review your Setup Worksheet to make sure you didn't accidentally assign the same memory address to more than one device. Refer to your card's documentation to see how to configure the card. Refer to the section entitled Configuration Considerations in the chapter, Preparing the Desk Station V.
- ❖ Does the total power required by all expansion cards exceed the Desk Station V's specifications? The Expansion Card Requirements appendix discusses this issue and lists total power available at each pin.

If these questions don't suggest a solution to the problem, and you're sure the problem is with an expansion card, contact your dealer.

## **Power Problems**

Power source problems may be caused by the Desk Station V or the computer. Consider these suggestions:

- ❖ Be certain that the power cord is firmly connected to the Desk Station V and to a working wall outlet.
- ❖ Inspect the Desk Station V's power cord and connectors. Is the cord damaged? Are the connectors dirty, damaged or corroded? If the answer to either of these questions is yes, the Desk Station V and computer may not be receiving adequate power.
- ❖ Turn on the Desk Station V, then your computer. If the computer's battery indicator flashes, turn off the Desk Station V and the computer. Disconnect the computer from the Desk Station V and power the computer with its AC adapter. If the computer's battery indicator flashes, refer to the troubleshooting procedures in the computer's documentation.

If the problem persists, contact your dealer.

## **Printer Problems**

If the computer seems to operate properly, but you're having trouble with your printer, consider these suggestions:

- ❖ Be certain that the printer's power cord is firmly connected to a live power outlet.
- ❖ Make sure the printer is turned on. Confirm that the printer is on-line (ready to use) before you turn on the computer.
- ❖ Inspect the cable connecting the printer to the computer for damage. Is the cable securely connected at both ends? Are the connectors connecting properly?

- ❖ Confirm that you're using the proper port. A parallel printer connects to the Desk Station V printer port, and a serial printer to the serial port.
- ❖ If you connected a serial printer, are the communications parameters the same for the port and the printer? Confirm that you haven't assigned the IRQ line associated with the serial port to another device.
- ❖ If you are using an ECP compatible printer or device, are you using an ECP compliant cable?
- ❖ Is your software configured to recognize the printer? Does your software support the emulation to which you've set the printer? Check the documentation of your printer and software.
- ❖ Try setting the Printer Port Type option to Std. Bi-directional in TSETUP or Hardware Setup.
- ❖ Run the computer's diagnostic test program, which is an option of TDIAGS.EXE (parallel printer only).

If the printer still doesn't operate properly, contact your dealer.

## ***Keyboard Problems***

If you press keys on the keyboard and get results you don't expect:

- ❖ Try your external keyboard on another computer, and make sure it is configured for either Automatic or PS/2-compatible.
- ❖ The software you're using may be re-mapping the keyboard. Re-mapping involves reassigning the meaning of each key. Refer to your software's documentation.

If problems persist, contact your dealer.

## ***SCSI Problems***

If the computer seems to operate properly, but you're having trouble with the SCSI device installed in the 5 1/4" expansion bay, consider these suggestions:

- ❖ Check the terminator of the internal SCSI cable in the expansion bay. Be certain it is securely connected. Make sure the internal device's terminator is disabled or removed.
- ❖ Check the terminator of the SCSI interface cable. Be certain it is securely connected if one or more external SCSI devices are attached.
- ❖ Check to see that all of the SCSI devices connected to the SCSI port are powered on before turning the desk station on.
- ❖ Check that no SCSI interface cables are attached to the computer without a SCSI device connected to it.

- ❖ Check to see that all cables are securely connected.
- ❖ Check to see that all SCSI devices have a unique SCSI ID. Number 7 is reserved for the controller (default).
- ❖ Check to see that the correct SCSI drivers are loaded.
- ❖ At least one external device must provide SCSI termination power. Check your device documentation.

If the problem persists, contact your dealer.

## ***If You Have Lost Your Key***

Replacement keys to the Key-lock on your Desk Station V can be obtained by calling Toshiba at (800) 999-4273.

## ***If You're Still Having Problems***

If you followed all the suggestions in this chapter and the troubleshooting section in your computer's documentation and your problems persist, contact your Toshiba dealer.

If you want a referral to a Toshiba authorized service center or if you want answers to questions regarding technical support, call Toshiba Product Support at (800) 999-4273.

Offices for Toshiba support worldwide are listed on the following page.

## **TOSHIBA Support**

### **European Offices**

#### **Austria**

Toshiba Europe GmbH  
Geschäftsbereich  
Deutschland-Österreich  
Hammfelddamm 8,  
D-41460 Neuss  
Phone: +49 (0)2131-158-01

#### **Belgium**

Toshiba Information Systems (Belgium) S.A.N.V.  
Rue Colonel Bourg Straat 123-125  
B1140 Brussels  
Phone: +32-2-7323500  
Fax: +32-2-7358317

#### **Denmark**

Scribona System AS,  
Naverland 27,  
DK2600 Glostrup  
Phone: +45-42-455522

#### **Finland**

Scribona System OY,  
Sinimäentie 14,  
02631 Espoo  
Phone: +358-0-52721

#### **France**

Toshiba Systèmes France S.A.  
7, rue Ampère,  
92804 Puteaux Cédex  
Phone: +33-1-47282828  
Fax: +33-1-42046343

#### **Germany**

Toshiba Europe GmbH  
Geschäftsbereich  
Deutschland-Österreich  
Hammfelddamm 8,  
D-41460 Neuss  
Phone: +49 (0)2131-158-01

#### **Italy**

CERO S.p.A  
Via Saronnese, 16,  
I-20025 Legnano (MI)  
Phone: +39-331-540650

#### **Netherlands**

Toshiba Information Systems, Benelux B.V.  
Rivium Boulevard  
41 2909 LK Capelle a/d Ussel  
Phone: +31-10-4479300

#### **Norway**

Scribona Norway AS,  
Postboks 51, Kalbakken,  
0901 Oslo 9  
Phone: +47-2-897000

#### **Portugal**

DLI Distribuicao,  
Av. do Forte n.3-  
Piso 4 (Ed. Suecia II), P-  
2795 Linda-a-Velha  
Phone: +351-1-417 2306  
Fax: +351-1-417 2311

#### **Spain**

Toshiba Information Systems,  
Parque Empresarial San Fernando  
Edificio Europa, la planta,  
Escalera A 28831 Madrid  
Phone: +34-3-660 6700

#### **Sweden**

Scribona System AB  
Sundbybergsväegen 1,  
17127 Solna,  
Phone: +46-8-734-3400

#### **Switzerland**

Ozalid AG  
Herostasse 7  
8048 Zürich  
Phone: +41-1-4317171

#### **United Kingdom**

Toshiba Information Systems (U.K.) LTD  
Toshiba Court / Weybridge Business Park  
Addlestone Road  
Weybridge, Surrey KT15 2UL  
Phone: +44-932-841600  
Fax: +44-932-852167

**Non-European Offices**

**Australia**

Toshiba Australia Pty. Ltd.  
Information Systems Division  
84-92 Talavera Road North Ryde N.S.W. 2113  
Sydney  
Phone: +61-2-887-3322  
Fax: +61-2-887-3201

**Canada**

Toshiba of Canada Ltd.  
191 McNabb Street,  
Markham, Ontario  
L3R 8H2  
Phone: +1-416-470-3478  
Fax: +1-416-470-3499

**Japan**

Toshiba Corporation  
International Operations-Personal Computers  
1-1, Shibaura 1-chome,  
Minato-ku, Tokyo, 105-01  
Phone: +81-3-3457-5565  
Fax: +81-3-3456-6943

**United States**

Toshiba America Information Systems, Inc.  
9740 Irvine Boulevard  
Irvine California 92718  
Phone: +1-714-583-3943  
Fax: +1-714-583-3345

**TROUBLESHOOTING**

# Appendix A

## Specifications

This appendix summarizes the Desk Station V's technical specifications.

### Physical Dimensions

Desk Station V	16.2"W x 14.5"D x 6.0"H
	18 pounds
CRT Stand	17" x 13"D x 7"H
	6 pounds
Maximum Load	77 pounds

### Environmental Requirements

<i>Condition</i>	<i>Ambient Temperature</i>	<i>Relative Humidity</i>
Operating	5 to 35°C	20% to 80%
Non-operating	-20 to 60°C	5% to 80%

### Power Requirements

#### AC Input

Voltage	100-115/220-240 volts alternating current
Frequency	50 to 60 hertz (cycles per second)
Current	2.0/1.1 amperes

#### DC Output (For Computer Use)

Continuous Volts	15 Volts DC
Continuous Current	2.7 amperes

#### DC Output (For Internal Use)

+3.3, +5, -5, +12, -12

## Speakers

Built-in Two stereo speakers, volume adjustable

## Standard Interfaces

Printer	Printer or Extended Capabilities Port (ECP)
Serial	RS-232C compatible
RGB	Analog RGB monitor
External keyboard	PS/2 type keyboard
Mouse	PS/2 type mouse
SCSI II	50-pin, high density connector
Joystick/MIDI	Analog joystick
PC Card	Two PCMCIA standard Type III PC Card slots (also supports Type I and Type II slots)

## Audio Interfaces

Microphone	Impedance	1.7K $\Omega$
	Operating voltage	2.25V
	Rated input voltage	30mVrms
	Connector	Stereo 1/8" miniphone jack
	Type	Electret condenser microphone
Headphone	Impedance	16 $\Omega$
	Connector	Stereo 1/8" miniphone jack
Line-In	Impedance	47K $\Omega$
	Rated input voltage	1Vrms (maximum)
	Connector	Stereo 1/8" miniphone
Line-Out	Impedance	1K $\Omega$
	Rated input voltage	1Vrms (maximum)
	Connector	Stereo 1/8" miniphone



## ***Expansion Capability***

Expansion Slots	Two industry standard full-sized ISA or PCI type cards and one half-sized PCI type card 0.8 x 13.4 x 4.8 inches 20.3 x 340.4 x 122 millimeters
5 1/4" Expansion Bay	Industry standard half-height 5 1/4" SCSI device 1.7 x 9.2 x 5.7 inches 42 x 233 x 145 millimeters
PC Card Slots	Two PCMCIA Type III PC Card slots
SelectBay	Toshiba SelectBay module

## ***Power Requirements***

<i>Signal</i>	+3.3VDC	+5VDC	-5VDC	+12VDC	-12VDC
<i>(fluctuation)</i>	(+5%/-5%)	(+5%/-5%)	(+5%/-5%)	(+10%/-10%)	(+10%/-10%)
Maximum Total Current (ampere)	7.0	5.9	0.3	1.8	0.3
Combined Peak	-	8.2	-	4.0	-
Expansion Slot Pin Number(s):					
ISA card slot	-	B03, B29, D16	B05	B09	B07
PCI card slot	A21, A27, A33 A39, A45, A53 B25, B31, B36 B41, B43, B54	A05, A08, A10 A16, A59, A61 A62, B05, B06 B62		A02	B01
Drive Bay Power Connector PJ7	-	4	-	1	-

The total power consumption may not exceed 80W.



# Appendix **B**

## The AC Power Cord

The Desk Station V power cord's AC input plug must be compatible with the various international AC power outlets and the cord must meet the standards for the country in which it is used.

All cords must meet the following requirements:

- Length: Minimum 6.5 ft (2 meters)  
Maximum 9.75 ft (3 meters)
- Wire size: Minimum 0.75 mm<sup>2</sup>
- Current rating: Minimum 10 amperes
- Voltage rating: 125 to 250 VAC (depending on country's power standards)

### Certification agencies

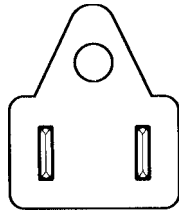
- U. S. and Canada: UL listed and CSA certified  
No. 18 AWG, Type SVT or SPT-2 two conductor
- Australia: AS
- Europe:
  - Austria: OVE                      Italy: IMQ
  - Belgium: CEBEC                    Netherlands: KEMA
  - Denmark: DEMKO                   Norway: NEMKO
  - Finland: SETI                        Sweden: SEMKO
  - France: UTE                         Switzerland: SEV
  - Germany: VDE                      United Kingdom: BSI

In Europe and Australia, power cords must be HAR (harmonized) type HO5VV-F or HO5VVH2-F and three-conductor.

For the United States and Canada, plug configuration must be a 6-15P (250V) or 5-15P (125V) as designated in the U.S. National Electrical Code Handbook and the Canadian Electrical Code Part II.

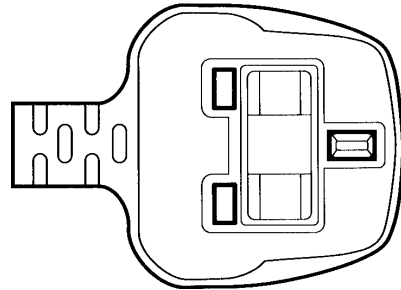
The following illustrations show the plug shapes for the U.S. and Canada, the United Kingdom, Australia and Europe:

***USA and Canada***



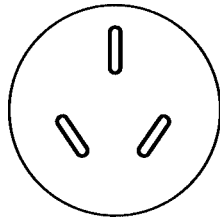
UL and CSA approved

***United Kingdom***



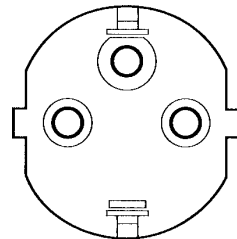
BS approved

***Australia***



AS approved

***Europe***



Approved by appropriate agency

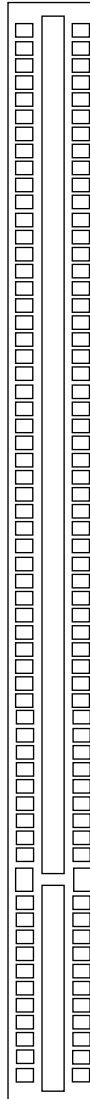
# *Appendix* **C**

## *Expansion Slot Pin Assignments*

The charts in this appendix (beginning on the next page) show the signals and pin assignments of PCI and ISA expansion slots.

## PCI Expansion Slot Pin Assignments

-12VDC	B01	A01	TRST#
TCK	B02	A02	+12VDC
GND	B03	A03	TMS
TDO	B04	A04	TDI
+5VDC	B05	A05	+5VDC
+5VDC	B06	A06	INTA#
INTB#	B07	A07	INTC#
INTD#	B08	A08	+5VDC
PRSNT1#	B09	A09	RESERVED
RESERVED	B10	A10	+5VDC
PRSNT2#	B11	A11	RESERVED
GND	B12	A12	GND
GND	B13	A13	GND
RESERVED	B14	A14	RESERVED
GND	B15	A15	RST#
CLK	B16	A16	+5VDC
GND	B17	A17	GNT#
REQ#	B18	A18	GND
+5VDC	B19	A19	RESERVED
AD[31]	B20	A20	AD[30]
AD[29]	B21	A21	+3.3VDC
GND	B22	A22	AD[28]
AD[27]	B23	A23	AD[26]
AD[25]	B24	A24	GND
+3.3VDC	B25	A25	AD[24]
C/BE[3]#	B26	A26	IDSEL
AD[23]	B27	A27	+3.3VDC
GND	B28	A28	AD[22]
AD[21]	B29	A29	AD[20]
AD[19]	B30	A30	GND
+3.3VDC	B31	A31	AD[18]
AD[17]	B32	A32	AD[16]
C/BE[2]#	B33	A33	+3.3VDC
GND	B34	A34	FRAME#
IRDY#	B35	A35	GND
+3.3VDC	B36	A36	TRDY#
DEVSEL#	B37	A37	GND
GND	B38	A38	STOP#
LOCK#	B39	A39	+3.3VDC
PERR#	B40	A40	SDONE
+3.3VDC	B41	A41	SBO#
SERR#	B42	A42	GND
+3.3VDC	B43	A43	PAR
C/BE[1]#	B44	A44	AD[15]
AD[14]	B45	A45	+3.3VDC
GND	B46	A46	AD[13]
AD[12]	B47	A47	AD[11]
AD[10]	B48	A48	GND
GND	B49	A49	AD[09]
KEYWAY	B50	A50	KEYWAY
KEYWAY	B51	A51	KEYWAY
AD[08]	B52	A52	C/BE[0]#
AD[07]	B53	A53	+3.3VDC
+3.3VDC	B54	A54	AD[06]
AD[05]	B55	A55	AD[04]
AD[03]	B56	A56	GND
GND	B57	A57	AD[02]
AD[01]	B58	A58	AD[00]
+5VDC	B59	A59	+5VDC
ACK64#	B60	A60	REQ64#
+5VDC	B61	A61	+5VDC
+5VDC	B62	A62	+5VDC



*ISA Expansion Slot Pin Assignments*

GND	B01		A01	-IOCHK
RESET	B02		A02	SD07
+5VDC	B03		A03	SD06
IRQ9	B04		A04	SD05
-5VDC	B05		A05	SD04
DRQ2	B06		A06	SD03
-12VDC	B07		A07	SD02
0WS	B08		A08	SD01
+12VDC	B09		A09	SD00
GND	B10		A10	IOCHRDY
-SMEMW	B11		A11	AEN
-SMEMR	B12		A12	SA19
-IOW	B13		A13	SA18
-IOR	B14		A14	SA17
-DAK3	B15		A15	SA16
DRQ3	B16		A16	SA15
-DACK1	B17		A17	SA14
DRQ1	B18		A18	SA13
-REFRESH	B19		A19	SA12
SYSCLK	B20		A20	SA11
IRQ7	B21		A21	SA10
IRQ6	B22		A22	SA09
IRQ5	B23		A23	SA08
IRQ4	B24		A24	SA07
IRQ3	B25		A25	SA06
-DACK2	B26		A26	SA05
T/C	B27		A27	SA04
BALE	B28		A28	SA03
+5VDC	B29		A29	SA02
OSC	B30		A30	SA01
GND	B31		A31	SA00
-MEMCS16	D01		C01	SBHE
-IOCS16	D02		C02	LA23
IRQ10	D03		C03	LA22
IRQ11	D04		C04	LA21
IRQ12	D05		C05	LA20
IRQ15	D06		C06	LA19
IRQ14	D07		C07	LA18
-DACK0	D08		C08	LA17
DRQ0	D09		C09	-MEMR
-DACK5	D10		C10	-MEMW
DRQ5	D11		C11	SD08
-DACK6	D12		C12	SD09
DRQ6	D13		C13	SD10
-DACK7	D14		C14	SD11
DRQ7	D15		C15	SD13
+5VDC	D16		C16	SD14
-MASTER	D17		C17	SD14
GND	D18		C18	SD15





## **Appendix *D***

# ***Desk Station V Worksheets***

This appendix contains the Setup Worksheet and the Power Consumption Worksheet. Make copies of the worksheets before you use them.

Save your Setup Worksheets to help you remember how you configured the Desk Station V. If you call Toshiba's Product Support for assistance, this information will help the technician resolve your questions.

Use the Power Consumption Worksheet to determine if the devices you plan to install meet the Desk Station V's power specification.

### Power Consumption Worksheet

Date Prepared: \_\_\_/\_\_\_/\_\_\_

Fill in the type of device, its power requirements and setup information. Figure the total power required for your devices to determine if you will exceed the Desk Station V's power specification.

Desk Station V	Card/Device Manufacturer	Power Requirements				
		+5 Cont./Peak	-5	+12 Cont./Peak	-12	+3.3
Slot #1		/		/		
Slot #2		/		/		
Slot #3		/		/		
PC Card Slot 3		/		/		
PC Card Slot 2		/		/		
5 1/4" Expansion Bay		/	N/A	/	N/A	N/A
SelectBay	<input type="checkbox"/> FDD <input type="checkbox"/> CD-ROM	0.8/0.8	N/A	N/A	N/A	N/A
Total Power Used by Peripherals:			/			
Maximum Power Specification:		5.9/8.2	0.3	1.8/4.0	0.3	7.0

The power used by your peripherals may not exceed the Desk Station V's specification. If your calculations fall below the numbers listed for Maximum Power Specification, you can continue with your installation.

## Toshiba Desk Station V Setup Worksheet

Date Prepared: \_\_\_/\_\_\_/\_\_\_

### I. Expansion Slot Configuration

Fill in the type of device, serial number and setup information.

Expansion	Slot Card Device Type	Serial Number / Setup Information (Non-Plug and Play ISA Cards only)
Slot#1 <input type="checkbox"/> ISA <input type="checkbox"/> ISA Plug and Play <input type="checkbox"/> PCI	<input type="checkbox"/> Network <input type="checkbox"/> SCSI <input type="checkbox"/> Video <input type="checkbox"/> Other _____	Serial Number _____ IRQ # _____ <input type="checkbox"/> Fixed <input type="checkbox"/> Changeable DRQ # _____ <input type="checkbox"/> Fixed <input type="checkbox"/> Changeable I/O Base _____ Memory Base #1 _____ Size _____ Memory Base #2 _____ Size _____
Slot#2 <input type="checkbox"/> ISA <input type="checkbox"/> ISA Plug and Play <input type="checkbox"/> PCI	<input type="checkbox"/> Network <input type="checkbox"/> SCSI <input type="checkbox"/> Video <input type="checkbox"/> Other _____	Serial Number _____ IRQ # _____ <input type="checkbox"/> Fixed <input type="checkbox"/> Changeable DRQ # _____ <input type="checkbox"/> Fixed <input type="checkbox"/> Changeable I/O Base _____ Memory Base #1 _____ Size _____ Memory Base #2 _____ Size _____
Slot#3 <input type="checkbox"/> PCI	<input type="checkbox"/> Network <input type="checkbox"/> SCSI <input type="checkbox"/> Video <input type="checkbox"/> Other _____	Serial Number _____ IRQ # 11

**II. System Port Configuration**

Fill in the device connected to the serial port.

Port / Device	Setup Information (Resources)
Serial Port	<input type="checkbox"/> DISABLED <input type="checkbox"/> COM1 (I/O 3F8-3FFH, IRQ 4) <input type="checkbox"/> COM2 (I/O 2F8-2FFH, IRQ 3) <input type="checkbox"/> COM3 (I/O 3E8-3EFH, <i>IRQ 4</i> ) <input type="checkbox"/> COM3 (I/O 3E8-3EFH, <i>IRQ 5</i> ) <input type="checkbox"/> COM3 (I/O 3E8-3EFH, <i>IRQ 7</i> ) <input type="checkbox"/> COM4 (I/O 2E8-2EFH, <i>IRQ 3</i> ) <input type="checkbox"/> COM4 (I/O 2E8-2EFH, <i>IRQ 5</i> ) <input type="checkbox"/> COM4 (I/O 2E8-2EFH, <i>IRQ 7</i> )
IrDA Port	<input type="checkbox"/> DISABLED <input type="checkbox"/> COM1 (I/O 3F8-3FFH, IRQ 4) <input type="checkbox"/> COM2 (I/O 2F8-2FFH, IRQ 3) <input type="checkbox"/> COM3 (I/O 3E8-3EFH, <i>IRQ 4</i> ) <input type="checkbox"/> COM3 (I/O 3E8-3EFH, <i>IRQ 5</i> ) <input type="checkbox"/> COM3 (I/O 3E8-3EFH, <i>IRQ 7</i> ) <input type="checkbox"/> COM4 (I/O 2E8-2EFH, <i>IRQ 3</i> ) <input type="checkbox"/> COM4 (I/O 2E8-2EFH, <i>IRQ 5</i> ) <input type="checkbox"/> COM4 (I/O 2E8-2EFH, <i>IRQ 7</i> )
Parallel Port	<input type="checkbox"/> DISABLED <input type="checkbox"/> LPT1 (I/O 378-37FH, IRQ7) <input type="checkbox"/> LPT2 (I/O 278-27FH, IRQ5) <input type="checkbox"/> LPT3 (I/O 3BC-3BFH, IRQ7)
Sound System	<input type="checkbox"/> DISABLED I/O <input type="checkbox"/> 220H <input type="checkbox"/> 230H <input type="checkbox"/> 240H <input type="checkbox"/> 250H DRQ <input type="checkbox"/> 0 <input type="checkbox"/> 1 <input type="checkbox"/> 3 IRQ <input type="checkbox"/> 5 <input type="checkbox"/> 7 <input type="checkbox"/> 9 <input type="checkbox"/> 10 I/O 388-38BH (MIDI)
Joystick	I/O 210H (only when on Desk Station V)
SelectBay CD-ROM	<input type="checkbox"/> Not Installed <input type="checkbox"/> I/O 170-177H, 376H IRQ15
VGA BIOS	Memory Address <input type="checkbox"/> E000-EFFFH <input type="checkbox"/> E400-EFFFH <input type="checkbox"/> C000-CBFFH

<b>Interrupt</b>	<b>Devices</b>
0	System Timer
1	Keyboard
2	Redirected to IRQ 9
3	COM2/4
4	COM1/3
5	PCI Cards or DSV Internal SCSI, LPT2, COM3/4
6	Floppy Disk Controller
7	LPT1, LPT2, COM3, COM4, Sound System
8	Real Time Clock
9	PCI Cards or DSV Internal SCSI, Sound System
10	PCI Cards or DSV Internal SCSI, Sound System
11	PCI Cards or DSV Internal SCSI
12	AccuPoint and/or PS/2 Mouse
13	Math Coprocessor
14	Hard Disk Controller
15	SelectBay CD-ROM (If Installed)

<b>DMA Channel</b>	<b>Devices</b>
0	Sound System
1	Sound System, ECP
2	Floppy Disk Controller, ECP
3	Sound System, ECP
4	Not Available
5	Available
6	Available
7	Available

