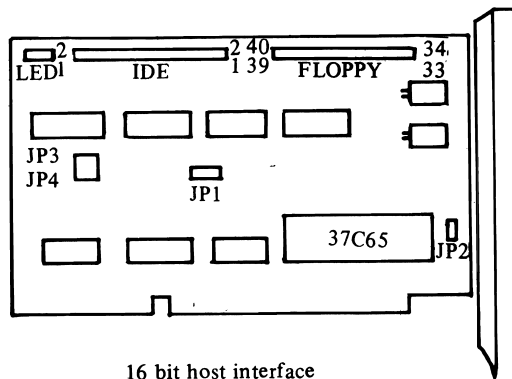


# **IDE & FDC USER'S MANUA**

FIDC (Floppy/Integrated Drive Controller) is a floppy and integrated/embedded drive control card that can control up to two floppy (3½" or 5¼") and 2 integrated/embedded drive for PC/AT or Compatible computers.

Before installing this card, be sure the card's connector or jumper is set properly. The outline is shown below:

integrate/embedded drive interface floppy drive interface



JP1: IRQ14 line with or without buffer output. Some drive may need this line with buffer output, like CORNER drive set 1-2 (factory set) without buffer output, set 2-3 with buffer output.

JP2: High capacity drive rotate speed (RPM) select. Set 1-2 when 300 RPM drive is used set 2-3 (factory set) when 360 RPM drive is used.

JP3, JP4: Hard disk/floppy drive primary/secondary I/O address setting, see table shown below:

primary I/O addr. 2-3*	secondary I/O addr. 1-2	
JP3 1F0H-1F7H	170H-177H	hard disk I/O addr.
JP4 3F0H-3F7H	370H-377H	floppy disk I/O addr.

\* factory normal setting.